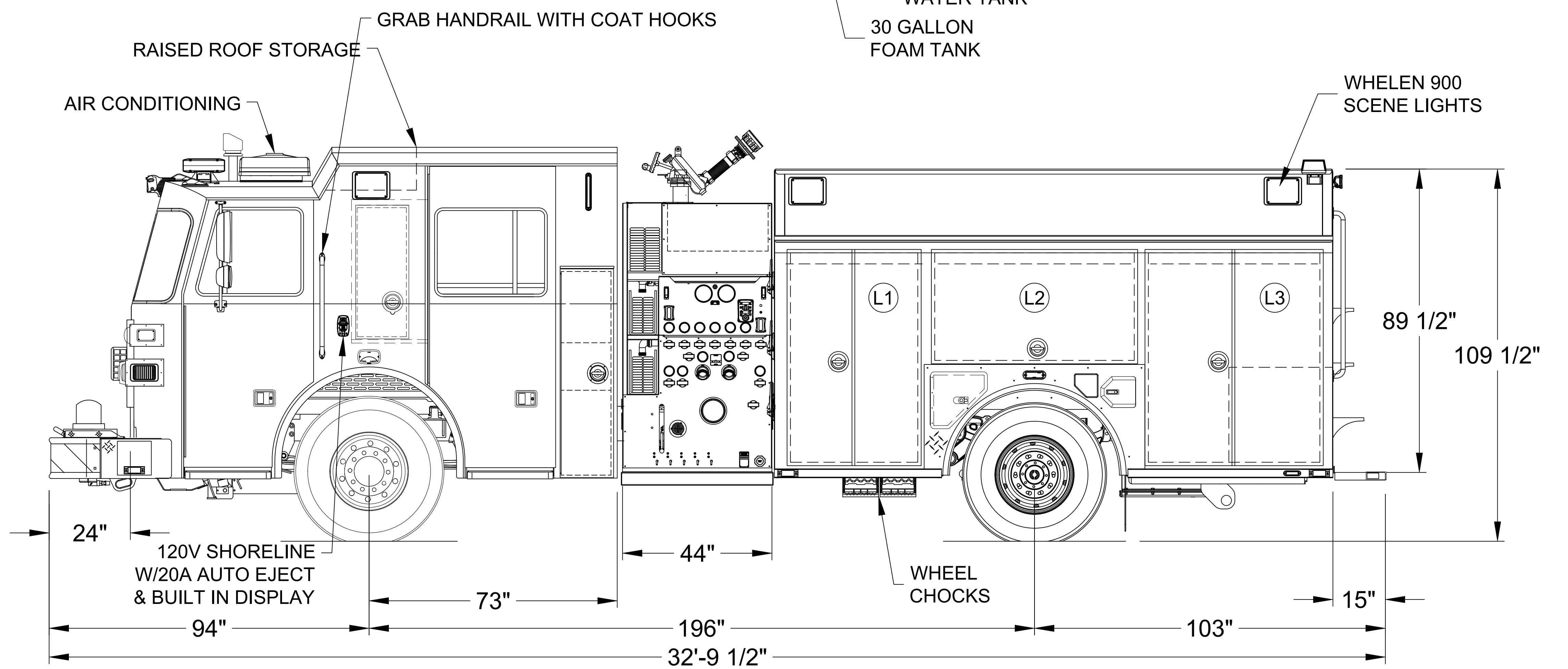
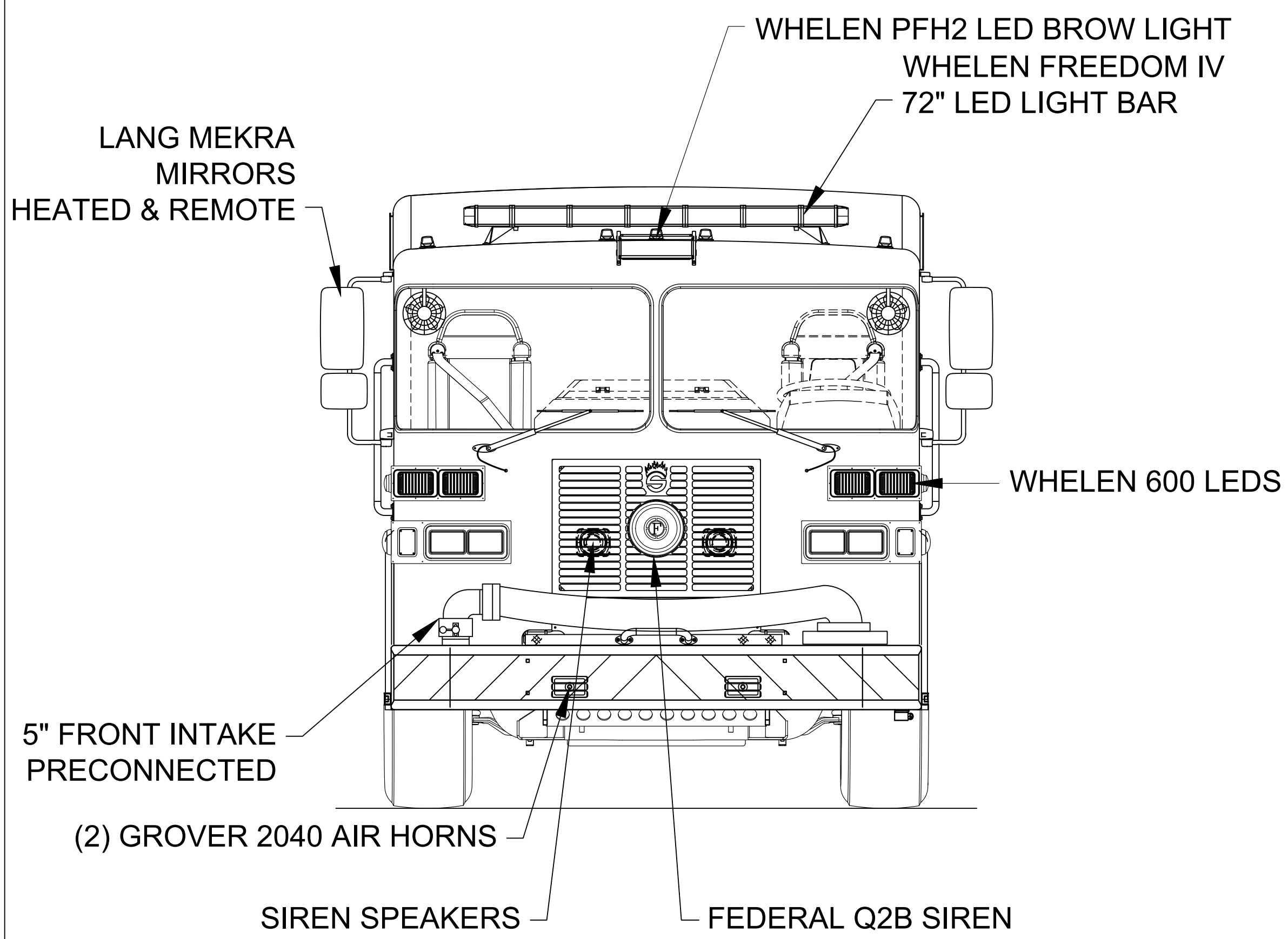
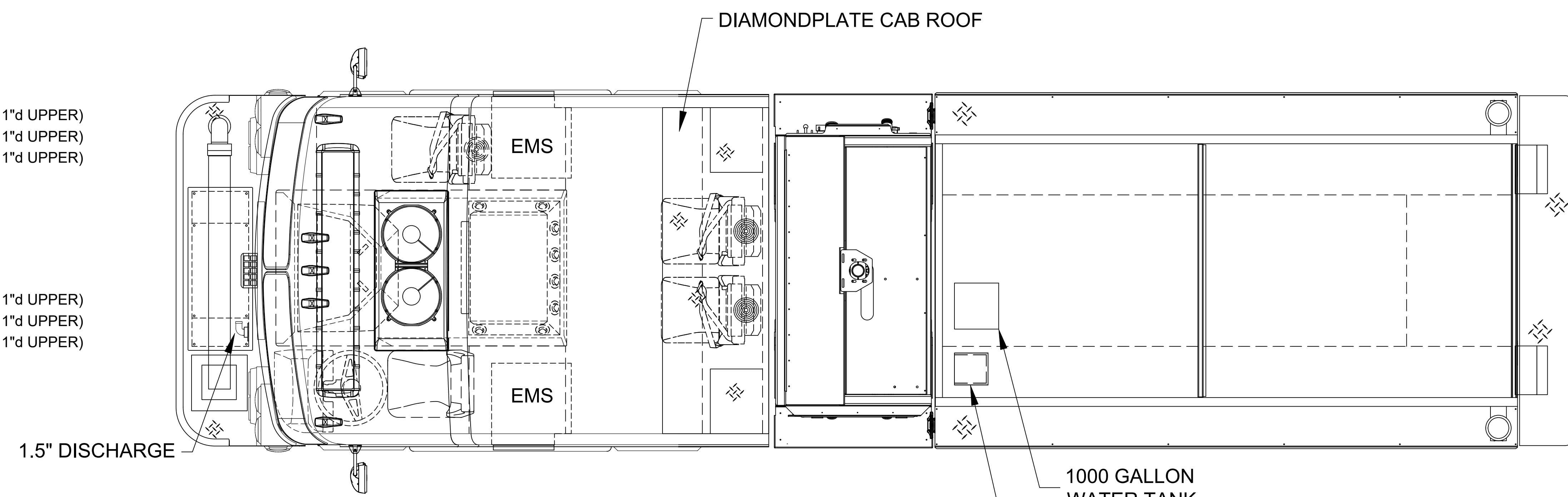


LEFT SIDE COMPARTMENTS				
COMPT	DOORS	OPENING DIMENSIONS	INSIDE DIMENSIONS	VOLUME
L1	DOUBLE	37.5" w X 56.5" h	40" w X 66" h X 26" d	37.4 CU. FT. (8" h X 11" d UPPER)
L2	LIFT-UP	56.25" w X 27" h	59" w X 31.5" h X 26" d	28.4 CU. FT. (8" h X 11" d UPPER)
L3	DOUBLE	48.75" w X 56.5" h	51.5" w X 66" h X 26" d	47.4 CU. FT. (8" h X 11" d UPPER)

RIGHT SIDE COMPARTMENTS				
COMPT	DOORS	OPENING DIMENSIONS	INSIDE DIMENSIONS	VOLUME
R1	DOUBLE	37.5" w X 56.5" h	40" w X 66" h X 26" d	37.4 CU. FT. (8" h X 11" d UPPER)
R2	LIFT-UP	56.25" w X 27" h	59" w X 31.5" h X 26" d	28.4 CU. FT. (8" h X 11" d UPPER)
R3	DOUBLE	48.75" w X 56.5" h	51.5" w X 66" h X 26" d	47.4 CU. FT. (8" h X 11" d UPPER)

REAR STEP COMPARTMENT				
COMPT	DOORS	OPENING DIMENSIONS	INSIDE DIMENSIONS	VOLUME
A1	ROLL-UP	36.75" w X 19" h	39.5" w X 28" h X 31" d	19.8 CU. FT.
TOTAL:				246.2 CU.FT.



DIMENSIONS SHOWN ON THIS DRAWING ARE APPROXIMATE AND ARE SUBJECT TO MINOR DEVIATIONS DURING CONSTRUCTION.

IN THE EVENT OF A DISCREPANCY BETWEEN THE SUTPHEN SPECIFICATIONS AND DRAWING, THE SUTPHEN SPECIFICATIONS SHALL PREVAIL.

DRAWING IS FOR REFERENCE ONLY. SOME ITEMS PROPOSED MAY NOT BE SHOWN OR NOTED.

CUSTOMER APPROVAL

NAME: _____

TITLE: _____

DATE: _____

REV.	DESCRIPTION	BY	DATE

THIS PRINT IS PROVIDED ON A RESTRICTED BASIS AND IS NOT TO BE USED IN ANY WAY DETRIMENTAL TO THE INTEREST OF SUTPHEN CORPORATION.

DRAWN BY:
D.NAYLOR

DATE:
02/14/2022

MFG. FACILITY:
URBANA

SUTPHEN

OXFORD FIRE DEPARTMENT
OXFORD, MI

CUSTOM PUMPER - G9
OXFORD, MI (2022 G9).dwg