

FIRETECH 17.5" 12V LED SCENE LIGHT 2 EACH SIDE

MADISON HEIGHTS

R3 R2 R1

R4

TFT TYPHOON ELEC MONITOR

2.5" HANDLE

ION T SERIES LED

OIL-DRY HOPPER

TRIPLE BOTTLE HOLDER

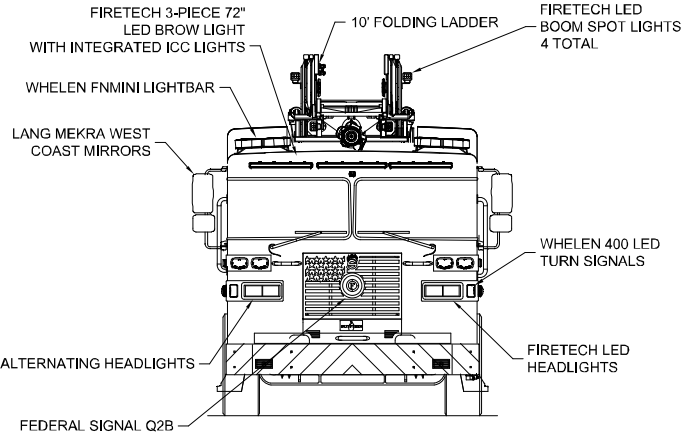
SLIDE-OUT TOOLBOARD COMPARTMENT

MUD & SNOW TIRES

HOSE TROUGH

EMS
EMS
EMS

475 GALLONS WATER
25 GALLONS FOAM



COMPT	DOORS	OPENING DIMENSIONS	INSIDE DIMENSIONS	VOLUME
L1 UPPER	HINGED	55.50"W x 28.00"H	62.12"W x 37.13"H x 10.00"D	13.34 CU. FT.
L1 LOWER	HINGED	55.50"W x 30.00"H	62.12"W x 30.00"H x 23.93"D	25.80 CU. FT.
L2	HINGED	38.00"W x 27.13"H	44.50"W x 36.25"H x 10.00"D	9.33 CU. FT.
L3	HINGED	38.00"W x 27.13"H	44.50"W x 36.25"H x 10.00"D	9.33 CU. FT.
L4 UPPER	HINGED	46.00"W x 28.00"H	50.06"W x 37.13"H x 10.00"D	10.75 CU. FT.
L4 LOWER	HINGED	46.00"W x 30.00"H	50.06"W x 30.00"H x 23.93"D	20.79 CU. FT.
R1	HINGED	55.50"W x 38.00"H	62.12"W x 67.13"H x 23.93"D	57.74 CU. FT.
R2	HINGED	38.00"W x 27.13"H	44.50"W x 36.25"H x 10.00"D	9.33 CU. FT.
R3	HINGED	38.00"W x 27.13"H	44.50"W x 36.25"H x 10.00"D	9.33 CU. FT.
R4 UPPER	HINGED	46.00"W x 28.00"H	50.06"W x 37.13"H x 10.00"D	10.75 CU. FT.
R4 LOWER	HINGED	46.00"W x 30.00"H	50.06"W x 30.00"H x 23.93"D	20.79 CU. FT.
		SLIDING TOOLBOARD X2	6.50"W x 75"H x 23.50"D	6.63 CU. FT.
TOTAL VOLUME				210.54 CU. FT.

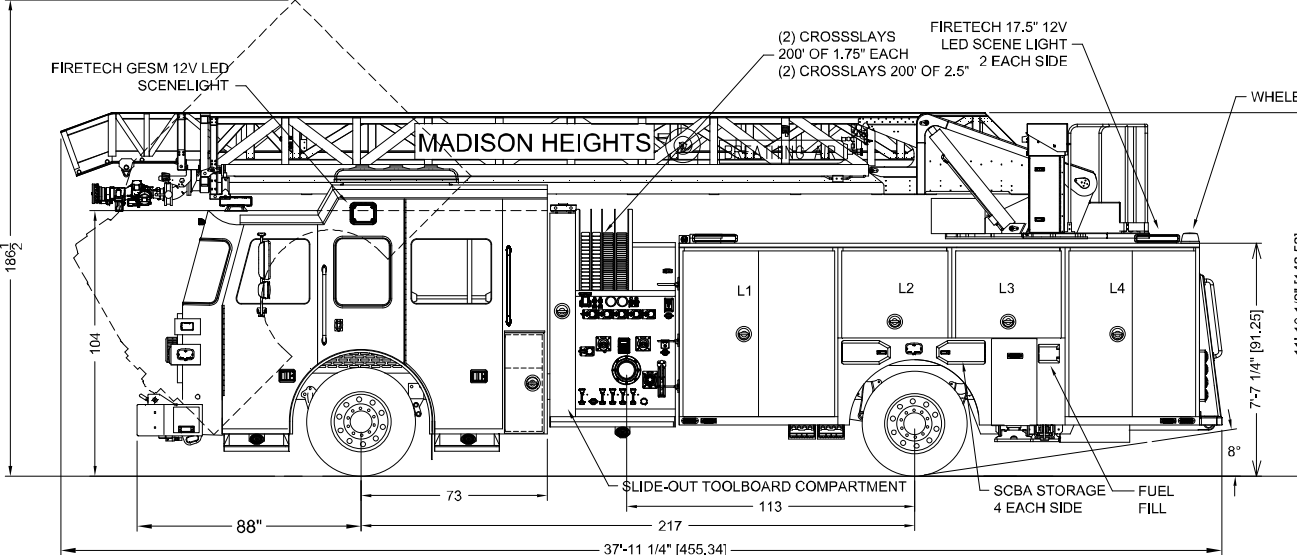
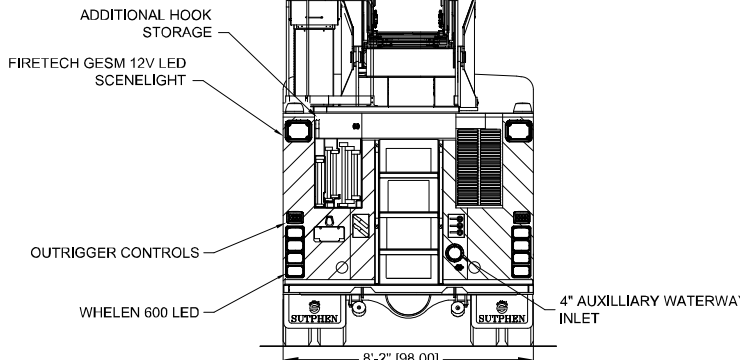
FIRETECH GESM 12V LED SCENELIGHT

(2) CROSSSLAYS 200' OF 1.75" EACH
(2) CROSSSLAYS 200' OF 2.5"

FIRETECH 17.5" 12V LED SCENE LIGHT 2 EACH SIDE

WHELEN L31 LED BEACON

ALCO-LITE QUINT LADDER COMPLIMENT
FL-1 10' FOLDING
PRL-16 16' ROOF
PEL-24 24' 2-SECTION
PEL-35 35' 3-SECTION



DIMENSIONS SHOWN ON THIS DRAWING ARE APPROXIMATE AND ARE SUBJECT TO MINOR DEVIATIONS DURING CONSTRUCTION.

IN THE EVENT OF A DISCREPANCY BETWEEN THE SUTPHEN SPECIFICATIONS AND DRAWING, THE SUTPHEN SPECIFICATIONS SHALL PREVAIL.

DRAWING IS FOR REFERENCE ONLY. SOME ITEMS PROPOSED MAY NOT BE SHOWN OR NOTED.

CUSTOMER APPROVAL

NAME: _____

TITLE: _____

DATE: _____

REV.	DESCRIPTION	BY	DATE

DRAWN BY: CAM

DATE: 3/23/2023

MPS FACILITY: HILLIARD

MADISON HEIGHTS FIRE DEPARTMENT
MADISON HEIGHTS, MI

SLR75
HS-XXXX