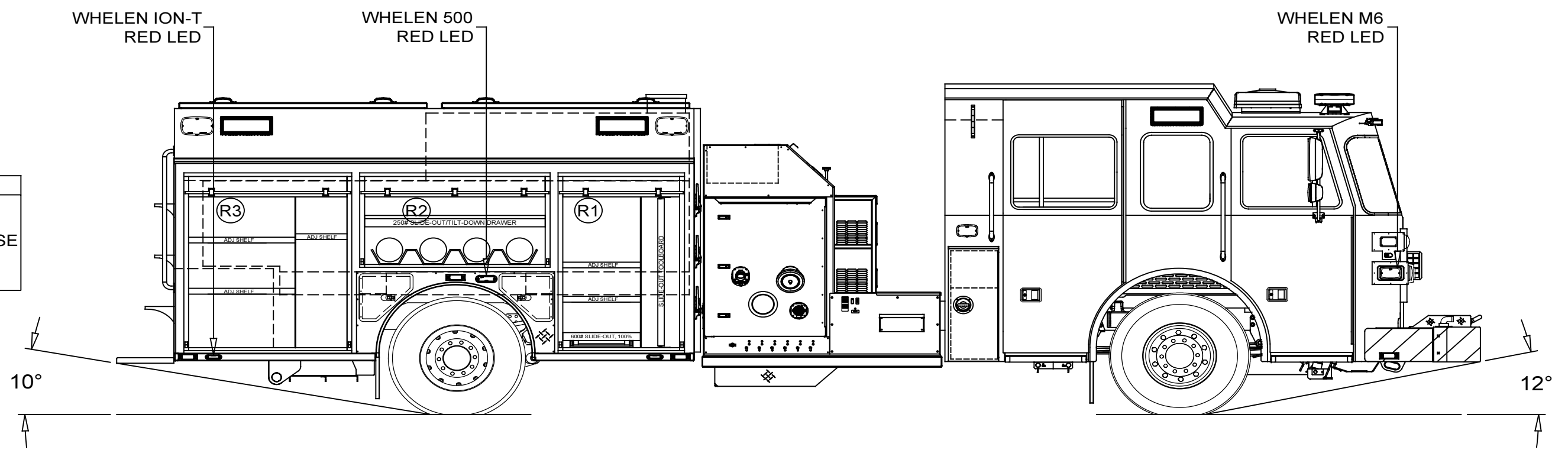


HOSEBED
800' OF 5"
700' OF 2.5"
150' OF 2.5"
BBOARD STOR

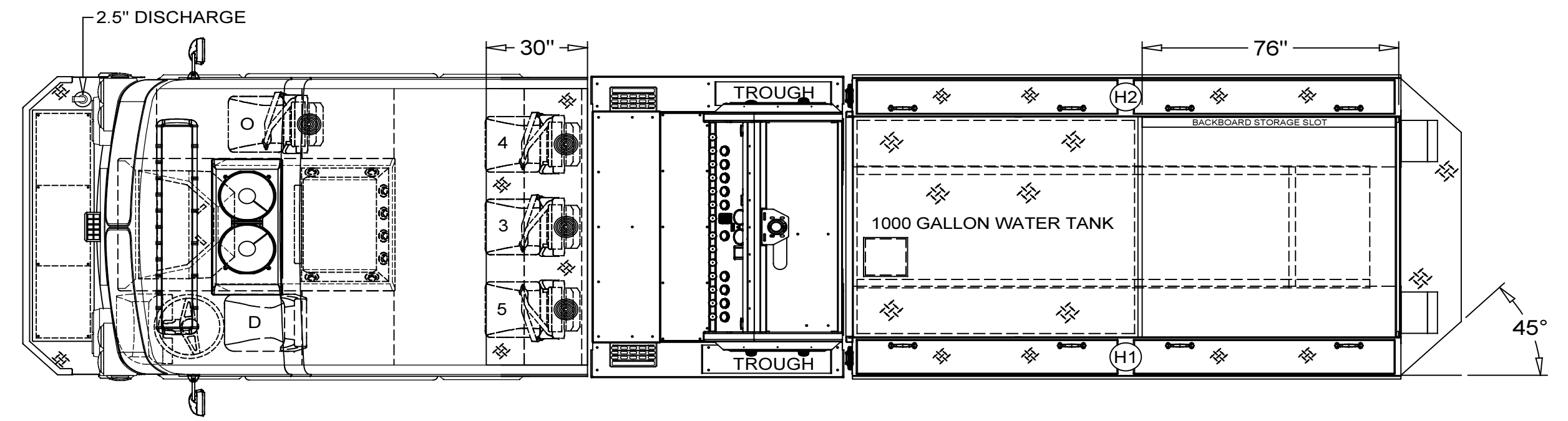
LADDER CHUTE
24' 2-SECT
10' FOLDING
(2) 10' SUCTION HOSE
(2) PIKE POLE
14' ROOF



LEFT SIDE COMPARTMENTS				
COMPT	DOORS	OPENING DIMENSIONS	INSIDE DIMENSIONS	VOLUME
L1	ROLL-UP	37.5" w X 55.4" h	43.1" w X 66" h X 27.3" d	40.8 CU. FT. (10" h X 10.5" d UPPER)
L2	ROLL-UP	57.5" w X 26.2" h	61.6" w X 36.8" h X 27.3" d	29.8 CU. FT. (10" h X 10.5" d UPPER)
L3	ROLL-UP	50.5" w X 55.4" h	53.4" w X 66" h X 27.3" d	50.5 CU. FT. (10" h X 10.5" d UPPER)
H1	LIFT-UP	(2) 9.25" w X 73.25" l	161.8" w X 17.3" h X 12.9" d	20.9 CU. FT.

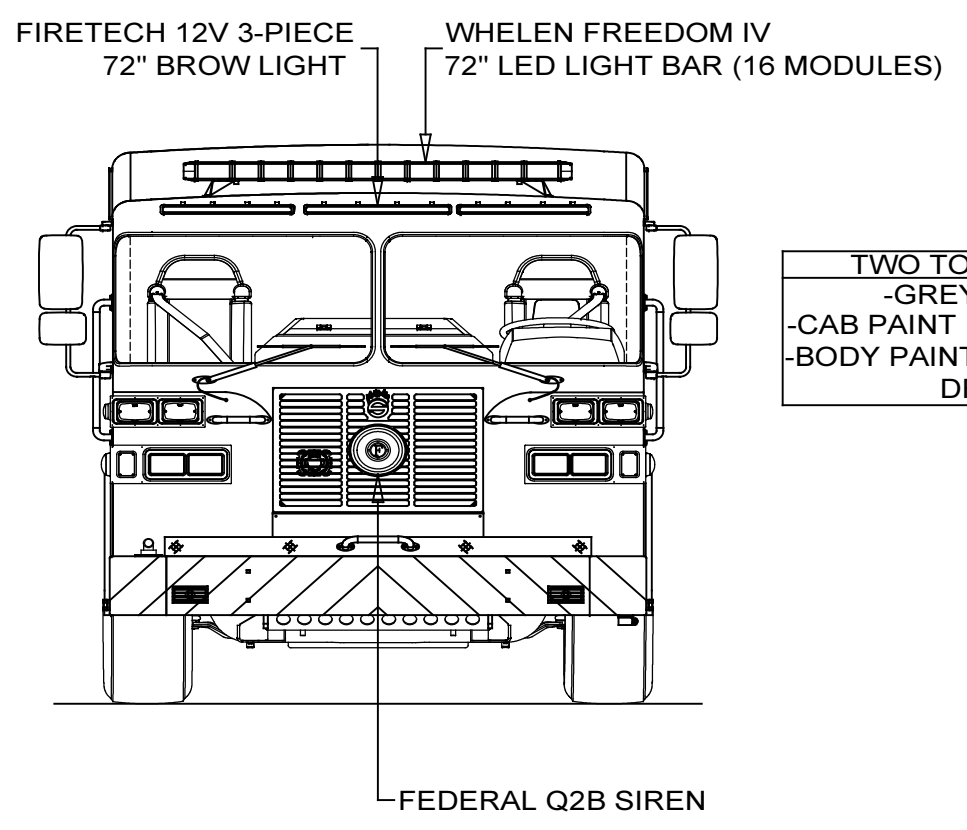
RIGHT SIDE COMPARTMENTS				
COMPT	DOORS	OPENING DIMENSIONS	INSIDE DIMENSIONS	VOLUME
R1	ROLL-UP	37.5" w X 55.4" h	43.1" w X 66" h X 27.3" d	40.8 CU. FT. (10" h X 10.5" d UPPER)
R2	ROLL-UP	57.5" w X 26.2" h	61.6" w X 36.8" h X 27.3" d	29.8 CU. FT. (10" h X 10.5" d UPPER)
R3	ROLL-UP	50.5" w X 55.4" h	53.4" w X 66" h X 27.3" d	50.5 CU. FT. (10" h X 10.5" d UPPER)
H2	LIFT-UP	(2) 9.25" w X 73.25" l	161.8" w X 17.3" h X 12.9" d	20.9 CU. FT.

REAR STEP COMPARTMENT				
COMPT	DOORS	OPENING DIMENSIONS	INSIDE DIMENSIONS	VOLUME
A1	ROLL-UP	37.5" w X 30.8" h	40" w X 28" h X 31" d	20.1 CU. FT.
TOTAL:				304.0 CU. FT.

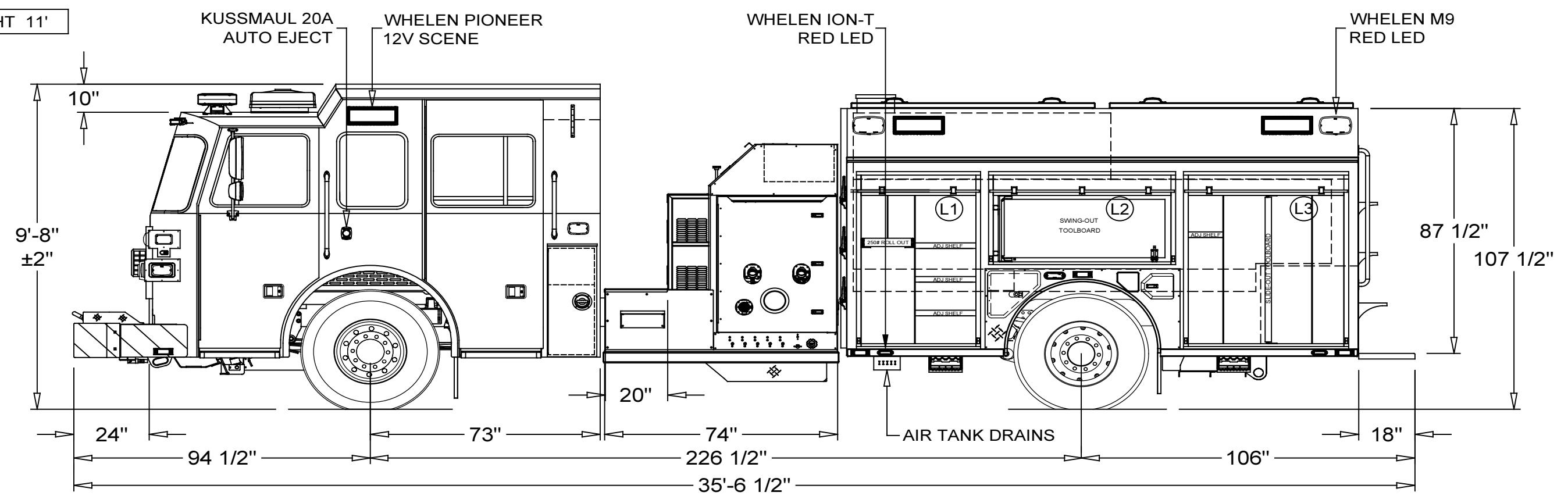


MAXIMUM LENGTH 36'

MAXIMUM HEIGHT 11'



TWO TONE CAB & BODY
-GREY OVER RED.
-CAB PAINT BREAK: OPTION #3.
-BODY PAINT BREAK: DOWN TO DRIP RAIL.



DIMENSIONS SHOWN ON THIS DRAWING ARE APPROXIMATE AND ARE SUBJECT TO MINOR DEVIATIONS DURING CONSTRUCTION.
IN THE EVENT OF A DISCREPANCY BETWEEN THE SUTPHEN SPECIFICATIONS AND DRAWING, THE SUTPHEN SPECIFICATIONS SHALL PREVAIL.
DRAWING IS FOR REFERENCE ONLY. SOME ITEMS PROPOSED MAY NOT BE SHOWN OR NOTED.

CUSTOMER APPROVAL

NAME: _____

TITLE: _____

DATE: _____

REV.	DESCRIPTION	BY	DATE
B	**REV-B** SHOP ORDER	ML	04/17/2023
A	**REV-A** SHOP ORDER	ML	04/14/2023

THIS PRINT IS PROVIDED ON A RESTRICTED BASIS AND IS NOT TO BE USED IN ANY WAY DETRIMENTAL TO THE INTEREST OF SUTPHEN CORPORATION.

DRAWN BY:
M. LUSCHER

MFG. FACILITY:
DUBLIN

SUTPHEN
HOWELL FIRE DEPARTMENT
HOWELL, MI
CUSTOM PUMPER - S9
DWG. NO.: HS-7601



Sutphen
Component Report
 Dealership: Apollo Fire
 Equipment

HS-7601 Howell, MI (S9)

Order#: SOB003398
 Contact: Ronald Hicks
 Position: Fire Chief
 Phone: (517)-546-0560
 Mobile: (517)-546-0560
 Email: rhicks@howellfire.net

Bill To	Ship To
Customer: Howell Area Fire Department Contact: Ronald Hicks, Fire Chief Address: 1211 W. Grand River, Howell, MI 48843	Customer: Howell Area Fire Department Contact: Ronald Hicks, Fire Chief Address: 1211 W. Grand River, Howell, MI 48843

Comments
Project Coordinator: Matt Luscher Sales Person: Rudy Cervantes Revision Level: **REV-B** Truck Type: Program 2 Pumper, S9 Body Facility: Dublin

Line	Item #	Qty	
1		1	**ENG This truck will match HS-7019 Howell, MI unless indicated with a **DIFFERENT THAN LAST TRUCK** notation.
2		1	**ENG Facility = Dublin.
3		1	**ENG Truck Series = Program 2.
4		1	**ENG Pump Module Series = Program Module.
5		1	**ENG Electrical System = Point-to-Point.
6	10000215	1	STD WIRING SCHEMATIC
7	10001200	1	MAXIMUM APPARATUS HEIGHT = 11'
8		1	**ENG Overall Apparatus Height = 9' - 8" +/- 2".
9	10001220	1	MAXIMUM APPARATUS LENGTH = 36'
10		1	**ENG Overall Apparatus Length = 35' - 6 ½" +/- 2".
CHASSIS			
11	10010001	1	CHASSIS, CUSTOM
12	51010105	1	WHEELBASE = 226.5"
13	51010310	1	WHEELBASE GREATER THAN 200"
14		1	**ENG PTA Number = 97.7485".

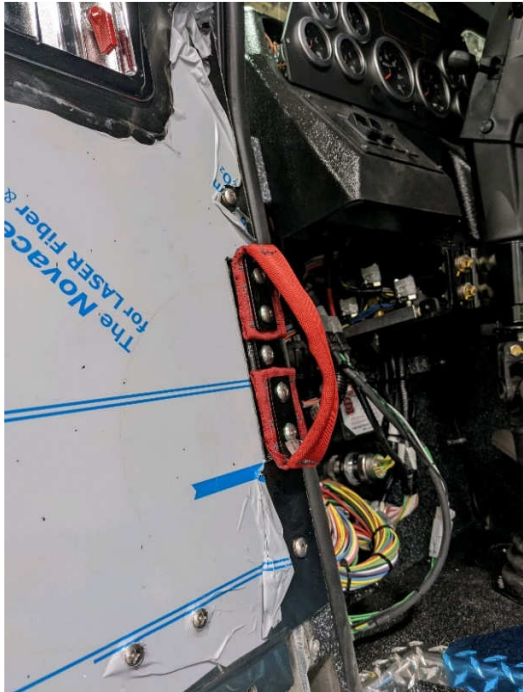
Line	Item #	Qty	
15		1	**ENG AF Number = 54".
16	25010100	1	FRAME, 10" DOUBLE RAILS, SINGLE AXLE (50K PSI)
17	45010001	1	FRONT TOW EYES, BELOW BUMPER, PAINTED
18		1	**ENG Painted black to match frame.
19	46010000	1	REAR TOW EYES, PAINTED
20		1	**ENG Painted black to match frame.
21	40010250	1	STEERING - ROSS TAS-85
22	22010000	1	DRIVE LINE, SPICER, 1710 SERIES
23	23014130	1	ENGINE, CUMMINS L 9 450HP DOC-DPF-DEF-SCR OBD
24	23029100	1	ENGINE WARRANTY, 5 YEAR, 100,000 MILES FOR CUMMINS L9
25	23029300	1	AFTERTREATMENT WARRANTY, 5 YEAR, 100,000 MILES FOR CUMMINS L9
26	23030006	1	AIR INTAKE/EMBER SEPARATOR
27	23031173	1	FUEL FILTER/WATER SEPARATOR, PRIMARY, FLEETGUARD, FS1098
28	23031210	1	FUEL FILTER, SECONDARY, FLEETGUARD, FF63009
29	47012430	1	TRANSMISSION, ALLISON GEN 5, EVS3000
30	23110005	1	JACOBS ENGINE BRAKE FOR CUMMINS L ENGINES
31	47024050	1	TRANSMISSION COOLER
32	47030000	1	ALLISON TOUCH PAD SHIFTER
33		1	**DIFFERENT THAN LAST TRUCK** **REV-A** **ENG Shifter Pad Gearing = 6 Gears Open.
34	21021200	1	COOLING SYSTEM
35	21030195	1	COOLANT FILTER
36	21030000	1	FAN CLUTCH
37	21030200	1	RADIATOR COOLANT RECOVERY, PRESSURIZED SYST
38	26010010	1	FUEL TANK, STAINLESS STEEL, 65 GAL
39	26030000	1	FUEL FILL

Line	Item #	Qty	
40	26030100	1	FUEL COOLER
41	24040000	1	DIESEL EXHAUST FLUID TANK
42		1	**ENG DEF Access = Hinged Door for DEF Access.
43	13010225	1	**DIFFERENT THAN LAST TRUCK** ALTERNATOR, LEECE NEVILLE 420 AMP BLP4003
44	13030100	1	LOW VOLTAGE ALARM, FLOYD BELL TXB-V86-515-QF
45	15010500	1	BATTERIES, INTERSTATE TYPE 31 MHD (4)
46	15031700	1	BATTERY JUMPER TERMINALS
47	15030450	1	120V SHORELINE INLET, KUSSMAUL SUPER 20 AUTO EJECT W/ BUILT IN BAR GRAPH DISPLAY 091-55-234-XXX
48		1	**CLAR NOTES, -Shoreline Inlet Location = Driver's side of Cab, standard location. -Shoreline Cover Color = Red.
49	15040100	6	**DIFFERENT THAN LAST TRUCK** **REV-A** 120V OUTLET WIRED TO SHORELINE INLET - EA (6)
50		1	**DIFFERENT THAN LAST TRUCK** **REV-A** **CLAR NOTES, -Nema Number = 5-20 House Plug Duplex. -(1) Mounted vertically on the forward angled corner of the AC/Heat Unit facing towards the Driver's seat. -(1) Mounted vertically on the forward angled corner of the AC/Heat Unit facing towards the Officer's seat. -(1) Mounted in L1, right hand wall, top right corner. -(1) Mounted in R1, left hand wall, top left corner. -(1) Mounted in L3, left hand wall, top left corner. -(1) Mounted in R3, high on inboard wall, 3" to the right of the right of the fixed vertical divider. -All outlets tied to inverter.
51	88888888	1	SPECIAL ITEM, INVERTER AND BATTERY CHARGER, KUSSMAUL AP1500 #091-263-12-1500
52		1	**CLAR NOTES, -Mounting Location: Below Crew Seat #1. -All outlets tied to inverter.
53	14022110	1	**REV-A** FRONT AXLE, HENDRICKSON STEERTEK NXT 19,000 LB.
54	41022110	1	**DIFFERENT THAN LAST TRUCK** **REV-A** FRONT SUSPENSION, HENDRICKSON 19,000 LBS. (3) 56" LEAFS
55	41040510	1	STEER ASSIST
56	43010305	1	**REV-A** FRONT TIRES, GOODYEAR 385/65R22.5 LRJ G296 22.5 x 12.25 WHEELS


Line	Item #	Qty	
57	14510530	1	REAR AXLE, MERITOR RS-26-185 27,000 LB.
58	14530100	1	TOP SPEED, 68 MPH
59	42010015	1	REAR SUSPENSION, FIREMAAX 27,000 LBS. AIR RIDE
60	44010320	1	**REV-A** REAR TIRES, GOODYEAR 12R22.5 LRH G622 MUD & SNOW 24,000 - 27,000 GVWR
61	42910300	1	TIRE PRESSURE MONITOR, QUICK PRESSURE
62	44210100	1	WHEELS, ALUM, ACCURIDE (MAX 27K REAR)
63	44270100	1	HUB COVERS, FRONT & REAR, POLISHED STS (SINGLE AXLE)
64	44270300	1	CHROME LUG NUT CAPS, FRONT & REAR (SINGLE AXLE)
65	44271100	1	MUD FLAPS, FRONT (PAIR)
66	44271200	1	MUD FLAPS, REAR (PAIR)
67	16010265	1	BRAKES STEERTEK DISC PLUS EX225 FRONT, MERITOR DISC PLUS EX225 REAR (SINGLE AXLE)
68	18010041	1	AIR BRAKE SYST 4 TANKS WABCO 1200 DRYER (24K, 27K)
69	18020000	1	CENTRAL LOCATION FOR AIR TANK DRAINS
70		1	**CLAR NOTES, -Mounting Location: Under the L1 compartment. -Label each drain.
71	18030140	1	AIR INLET CONNECTION
72		1	**ENG Standard Air Inlet Location = Left hand side of Driver's step well.
73	18035110	1	AIR COMPRESSOR, KUSSMAUL AUTO PUMP AC, 100PSI
74	18036105	1	TIMER, KUSSMAUL AUTO PUMP
75	18220500	1	NO ELEC STABILITY CONTROL SYS
76	18110000	1	WABCO 4 CHANNEL ANTI-LOCK BRAKES (24K, 27K)
77	53510000	1	COMPRESSION FITTINGS ON AIR SYSTEM (CHASSIS)
78	54010000	1	MISCELLANEOUS ITEMS ON CHASSIS
79	54010010	1	DATA, SAFETY & WARNING TAGS APPLICATION, ADHESIVE
CAB			
80	11023250	1	CAB TSAL4E 73" 10" RR 1/2

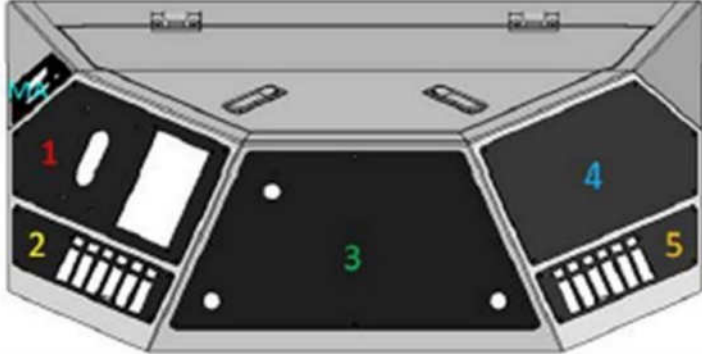
Line	Item #	Qty	
81	11030025	1	CAB CERTIFICATION - STRUCTURAL INTEGRITY
82	11030950	1	CAB LOCKDOWN LATCHES
83	11031025	1	CAB TILT SYSTEM, AIR CONTROL VALVE
84		1	**ENG Cab Tilt Controls = Officer's side Pump Panel, below speedlays.
85	11031100	1	MANUAL BACK-UP TILT SYSTEM
86	11031350	1	CAB DOORS, FULL LENGTH (4)
87	11031385	1	CAB STEPS, LOWER GRIP STRUT, INTERMEDIATE DIAMONDPLATE
88	11031396	1	CAB STEP LIGHTING, FEDERAL SIGNAL COMPLEX LED STRIP LIGHTS
89	11031421	1	CAB DOOR WINDOWS, POWER (4)
90	11031401	1	CAB SIDE WINDOWS, FIXED, BOTH SIDES
91	11031460	1	NO WINDOWS, BACK WALL OF CAB
92	11031465	1	WINDOW TINTING (LIMO TINT 8%) - EACH (4)
93	52010010	1	ELECTRIC INTERMITTENT WIPERS
94	52030100	1	DEACTIVATE WINDSHIELD WIPERS WITH PARKING BRAKE ENGAGED
95		1	**ENG Override Switch to Re-Engage Wipers = Yes.
96	52030200	1	WINDSHIELD WASHER RESERVOIR
97	38010020	1	MIRRORS LANG MEKRA 300 SERIES HEATED & REMOTE
98	88888888	1	**DIFFERENT THAN LAST TRUCK** **REV-A** SPECIAL ITEM, PAINTED RAPTOR COATING ON MIRROR HOUSINGS
99		1	**DIFFERENT THAN LAST TRUCK** **REV-A** **ENG Painted Job Color, Gray.
100	11024400	1	UPPER GRILLE, LEVEL STYLE FACADE (L9)
101	11024500	1	FLAMING "S" LOGO, UPPER GRILLE, REFLECTIVE RED
102	11024600	1	**REV-A** LOWER GRILLE, POLISHED STAINLESS (L9)
103	20012220	1	BUMPER, 24" FORMED STEEL CHANNEL, PAINTED
104		1	**CLAR NOTES, -Siren Speaker Perforations = No Speaker Perforations in Bumper. -Paint Color = Job Color Red.

Line	Item #	Qty	
105	20029810	1	BUMPER SIDES, PAINTED STEEL, FLAT (12"-24" EXTENSION)
106			**ENG Paint Color = Job Color Red.
107	20029910	1	BUMPER ANGLES, PAINTED STEEL, FLAT (12-30" EXTENSION)
108			**ENG Paint Color = Job Color Red.
109	20040215	1	STORAGE WELL, DEEP CENTER, FULL WIDTH (24" BUMPER)
110	20030120	1	STORAGE WELL COVER, TREADPLATE, 4" RAISE
111	20030510	1	CUT-OUT IN STORAGE WELL COVER
112		1	**ENG Cut-Out for Treadplate Storage Well Cover = Officer's side.
113	20042140	1	PROTECTIVE BUMPER COATING, RAPTOR, TOP EDGE OF FRONT BUMPER
114		1	**ENG Protective Bumper Coating Color = Job Color Red.
115	12010400	1	**DIFFERENT THAN LAST TRUCK** AIR HORNS, DUAL, HADLEY H00978 RECTANGULAR, BEHIND PERFORATION
116		1	**ENG Air Horns Location: Outboard, (1) each side.
117	12030010	1	AIR HORNS CUTOUTS IN BUMPER, BEHIND PERFORATIONS (L9 STYLE)
118	12030350	1	LANYARD CONTROL FOR AIR HORNS
119	12510109	1	ELEC SIREN, WHELEN 295HFSA7, REMOTE FLUSH MOUNT WITH REMOVABLE MIC
120		1	**ENG Mounting Location: Lower Console Position 3.
121	12530350	1	MOMENTARY SWITCH ON DASH, OFFICER'S SIDE, FOR ELEC SIREN
122		1	**ENG Switched in Cab, Lower Console Position 5, "Elec Siren".
123	12620200	1	SIREN SPEAKER, 100W, WHELEN, SA314B, BLACK FINISH
124	12670110	1	SIREN SPEAKER(S) INSTALLED BEHIND CAB GRILLE
125	12710100	1	SIREN, FEDERAL Q2B, GRILLE MOUNT
126		1	**ENG Q2B Wiring = Wired to Emergency Master then shed with parking brake on.
127	12730205	1	MECH SIREN WIRED TO STEERING WHEEL BUTTON
128		1	**ENG Switched in Cab, Lower Console 2, "Mech Siren".
129	12730350	1	MOMENTARY SWITCH ON DASH, OFFICER'S SIDE, FOR MECH SIREN
130		1	**ENG Switched in Cab, Lower Console Position 5, "Mech Siren".

Line	Item #	Qty	
131	12730363	1	SIREN BRAKE SWITCH FOR MECH SIREN, DRIVER'S & OFFICER'S SIDE
132		1	**CLAR NOTES, -Siren Brake Switch for Driver in Lower Console Position 2, "Siren Brake". -Siren Brake Switch for Officer in Lower Console Position 5, "Siren Brake".
133	32520520	1	HEADLIGHTS, LED, FIRETECH FT-4X6, DUAL STS HOUSINGS
134		1	**ENG Headlight Interior Finish = Chrome.
135	32530500	1	ALTERNATING FLASHER FOR HEADLIGHT
136		1	**ENG Switched in Cab, Overhead Console Position 1, "Alt Headlights".
137	48010300	1	FRONT TURN SIGNALS, WHELEN 400 SERIES LED (4)
138	32530754	1	ICC, LED BROW LIGHT INTEGRATED MARKERS
139	27022120	1	HANDRAILS, CAB EXTERIOR, KNURLED STAINLESS STEEL (4) SIDE
140	27030625	1	COAT HOOKS ON LOWER GRAB HANDRAILS, DRIVER'S SIDE (2)
141	27030665	1	COAT HOOKS ON LOWER GRAB HANDRAILS, OFFICER'S SIDE (2)
142	88888888	1	**REV-A** SPECIAL ITEM, DREW STRAP
143		1	**REV-A** **CLAR NOTES, -(1) Mounted on Driver's door. -Strap color = Red. -Match HS-7226 St. Lucie County, FL. -See Reference Photo #01 on shared drive.
144			

Line	Item #	Qty	
145	27030710	1	HANDRAILS, FRONT OF CAB, KNURLED STAINLESS STEEL (PAIR)
146	27025000	1	HANDRAILS, CAB INTERIOR, BLACK RUBBER COATED (2) FRONT ENTRY
147	27030120	1	HANDRAILS, REAR CAB INTERIOR DOOR, BLACK RUBBERIZED (2) AND KNURLED STS AT WINDOW (2)
148	11032010	1	EXTERIOR COMPT, SIDE OF EXT CAB, 38" H, DS
149	88888888	1	**DIFFERENT THAN LAST TRUCK** **REV-A** SPECIAL ITEM, PROTEC ON 38" EXTERIOR CAB COMPARTMENT DOORS
150		1	**DIFFERENT THAN LAST TRUCK** **REV-A** **CLAR NOTES, -Clear protection film will cover the paint and graphics on the exterior of both the Driver's side and Officer's side Exterior Cab Compartment doors. -The film will protect the doors when the customer is utilizing the coat hooks on the handrails above the doors. -This option needs to be present on the AGI graphics proof, TBD@PM.
151	11032410	1	EXTERIOR COMPARTMENT DOOR LOCK
152	11032110	1	OPENING TO DRIVER'S SIDE CREW SEAT COMPT
153	11032060	1	EXTERIOR COMPT, SIDE OF EXT CAB, 38" H, OS
154	11032410	1	EXTERIOR COMPARTMENT DOOR LOCK
155	11032120	1	OPENING TO OFFICER'S SIDE CREW SEAT COMPT
156	11035405	1	DIAMONDPLATE REAR EXTERIOR WALL OF CAB (AERIAL OR TOP MOUNT)
157	11035420	1	DIAMONDPLATE CAB ROOF 30" X FULL WIDTH
158	31010285	1	INTERIOR, MULTISPEC BLACK SPECKLE PAINT W/GRAY-BLACK DURAWEAR
159	11032929	1	DOOR PANEL, FULL STS
160	11032958	1	REFLECTIVE MATL, INTERIOR CAB DOORS, CHEVRONS, REFLEXITE
161		1	**REV-A** **CLAR NOTES, -Reflective Striping Color = #030 Red Transparent & #L2 Fluorescent Lime. -Reflective Striping Verbiage = "HOW2ELL"
162	31010291	1	CAB INTERIOR FLOOR COVERING, BLACK RUBBERIZED
163	22510100	1	ENGINE ENCLOSURE, FULL LENGTH
164	22510530	1	ENGINE ENCLOSURE COVERING, SCORPION BLACK URETHANE BLEND
165	11031670	1	TOOL MOUNTING PLATE, TOP OF ENGINE ENCLOSURE, NOT PROVIDED

Line	Item #	Qty	
166	11031680	1	CENTER CONSOLE W/MAP BOOK STORAGE, TOP OF ENGINE ENCLOSURE
167		1	**ENG CHF-4782.
168	22610050	1	ENGINE HOOD LIGHT, LED (1)
169	11031512	1	COMPUTER TRAY IN LIEU OF GLOVE BOX
170	11031710	1	UPPER CREW DOOR AREA, SMOOTH PANEL
171	29810100	1	CHASSIS ELECTRICAL DESCRIPTION
172	30010130	1	INSTRUMENTATION, AMETEK W/ CENTER & OVERHEAD CONSOLES
			Upper Command Console: 
173		1	**ENG Overhead Console Panel's Finish: Black Wrinkle.
174		1	<p>**DIFFERENT THAN LAST TRUCK**</p> <p>**REV-A**</p> <p>**ENG Overhead Console Position 1:</p> <p>Switch #1: Master Emergency.</p> <p>Switch #2: Alt Headlights.</p> <p>Switch #3: Front Scene.</p> <p>Switch #4: Left Scene.</p> <p>Switch #5: Right Scene.</p> <p>Switch #6: Rear Scene.</p> <p>Switch #7: Blank.</p> <p>Switch #8: Blank.</p> <p>Switch #9: Blank.</p> <p>Switch #10: Green Lts Dim.</p>
175		1	<p>**ENG Overhead Console Position 2:</p> <p>-Traffic Advisor Control Head.</p> <p>-Jensen Stereo.</p> <p>-Reference HS-7019 Howell, MI.</p>
176		1	<p>**ENG Overhead Console Position 3:</p> <p>-HVAC controls.</p>
177		1	<p>**ENG Overhead Console Position 4:</p> <p>-Warning Indicators.</p> <p>-Seat Belt Monitor.</p> <p>-Air Horn Lanyards.</p>
178		1	<p>**ENG Overhead Console Position 5:</p> <p>-Blank.</p>
179		1	<p>**ENG Overhead Console Position 6:</p> <p>-Blank.</p>

Line	Item #	Qty	
180		1	**ENG Overhead Console Position 7: -Blank.
181	30010500	1	LOWER COMMAND CONSOLE, L9 & X12
			<p>Lower Command Console (9L & 12L engines):</p> 
182		1	**ENG Lower Command Console Finish: Black Urethane.
183		1	**ENG Lower Console Panel's Finish: Black Wrinkle.
184		1	**DIFFERENT THAN LAST TRUCK** **REV-A** **ENG Lower Console Position 1: -Transmission TouchPad. -Parking Brake, high on center of panel. (CHF-4796-3147) -Pump Shift.
185		1	**ENG Lower Console Position 2: Switch #1: Jake On/Off. Switch #2: Jake Low/Med/High. Switch #3: High Idle. Switch #4: E-Horn/Mech Siren. Switch #5: Siren Brake.
186		1	**DIFFERENT THAN LAST TRUCK** **REV-A** **ENG Lower Console Position 3: -Whelen Siren Head. (Installed as low as possible) -12V Power Points. (Called out below)
187		1	**DIFFERENT THAN LAST TRUCK** **REV-A** **ENG Lower Console Position 4: Switch #1: Master Emergency. Switch #2: Elec Siren. Switch #3: Mech Siren. Switch #4: Siren Brake. -Switch cluster to be mounted in upper left corner of the panel.
188		1	**DIFFERENT THAN LAST TRUCK** **REV-A** **ENG Lower Console Position 5: -Blank.

Line	Item #	Qty	
189	30010610	1	CAB PUMP SHIFTER, ELECTRIC W/ROUND KNOB (FOR HALE G-SERIES / WATEROUS C20 PUMP TRANSMISSION)
190	30011000	1	PUMP INTERLOCK, NOT CONNECTED WITH ODOMETER
191	30031650	1	DO NOT MOVE ALARM
192	29930210	1	DELETE MAPBOOK SLOT ON FRONT BREAKER PANEL
193	29910100	1	PROGRAMMABLE LOAD MANAGER, CLASS-1 SUPERNODE II
194	30031100	1	HIGH IDLE SWITCH
195		1	**ENG Switched in Cab, Lower Console Position 2, "High Idle".
196	88888888	1	**DIFFERENT THAN LAST TRUCK** **REV-A** SPECIAL ITEM, 12V DUAL PORT USB POWER POINTS, USB A/C, KUSSMAUL 091-264-N (3)
197		1	**DIFFERENT THAN LAST TRUCK** **REV-A** **CLAR NOTES, -USB Power Point Location #1: Lower Console Position 3, Driver's Corner. -USB Power Point Location #2: Lower Console Position 3, Officer's Corner. -USB Power Point Location #3: Centered on rear lip on engine enclosure.
198	11040000	1	CAB ACCESSORY FUSE PANEL
199	84541540	1	POWER & GROUND STUDS, UPPER COMMAND CONSOLE
200		1	**ENG Requirements (AMPS) for Power/Ground Studs in Upper Command Console: (1) 12-volt 60-amp, direct to the battery ignition off. (1) 12-volt 30-amp switched battery first position on ignition switch. (1) 12-volt 30-amp ignition power second position on ignition switch. (1) 12-volt 125-amp ground.
201	30110000	1	VEHICLE DATA RECORDER, AKRON/WELDON
202	33510030	1	INTERIOR CAB LIGHTS, WHELEN 6" ROUND RED/CLEAR LED (2)
203	34010030	1	INTERIOR CREW LIGHTS, WHELEN 6" ROUND RED/CLEAR LED (2)
204	28010740	1	DEFROSTER, HEATER & A/C (TM-21)
205	28030500	1	DEFROSTER DUCTWORK, ENTIRE WINDSHIELD
206	11031687	1	TOP HEAT/AC STORAGE, TOOL MOUNTING PLATE, 25" X 19.5"
207	11031693	1	REAR HEAT/AC STORAGE, 3 SLOTS (2 EMS, 1 LARGE)
208	38510104	1	DRIVER'S SEAT, BOSTROM SIERRA HIGH BACK AIR RIDE ABTS (DURAWEAR PLUS, LOW SEAM)
209	38320000	1	HELMET STORED IN COMPARTMENT
210	39010118	1	OFFICER'S SEAT, BOSTROM TANKER 450, ABTS SCBA (DURAWEAR PLUS, LOW SEAM)


Line	Item #	Qty	
211	39030010	1	OFFICER'S SEAT COMPT, OPEN FRONT
212	38320000	1	HELMET STORED IN COMPARTMENT
213	39521430	1	**DIFFERENT THAN LAST TRUCK** **REV-A** CREW SEAT 3, BOSTROM TANKER 400CT, ABTS SCBA FLIP UP (DURAWEAR PLUS, LOW SEAM)
214	38320000	1	HELMET STORED IN COMPARTMENT
215	39521431	1	**DIFFERENT THAN LAST TRUCK** **REV-A** CREW SEAT 4, BOSTROM TANKER 400CT, ABTS SCBA FLIP UP (DURAWEAR PLUS, LOW SEAM)
216	38320000	1	HELMET STORED IN COMPARTMENT
217	39521432	1	**DIFFERENT THAN LAST TRUCK** **REV-A** CREW SEAT 5, BOSTROM TANKER 400CT, ABTS SCBA FLIP UP (DURAWEAR PLUS, LOW SEAM)
218	38320000	1	HELMET STORED IN COMPARTMENT
219	39550200	1	SEAT COLOR, BLACK
220	39610000	4	SCBA BRACKETS, BOSTROM, SECURE ALL (4)
221		1	**REV-A** **ENG Bottle Diameter = 6.5".
222	38410000	1	SEAT BELT WARNING SYSTEM, AKRON / WELDON
223	39710015	1	CREW SEAT COMPT, FRONT DROP-DOWN DOORS (73" CAB)
224	11031746	1	OVERHEAD STORAGE, REAR OF 10" RR W/NET
225		1	**ENG Black rocker switch for compartment lightning.
226	84541700	1	**DIFFERENT THAN LAST TRUCK** INSTALLATION OF CUSTOMERS 2-WAY RADIO ANTENNA (1)
227		1	**DIFFERENT THAN LAST TRUCK** **REV-A** **ENG Antenna Termination Location #1 = Lower Console Position 3.
228	30080150	1	HD STEREO, JENSEN, AM/FM/WB/BT
229		1	**ENG Mounted in Overhead Console Position 2.
230	84561330	1	CAMERA SYSTEM, BRIGADE, THREE CAMERA (WIRED)
231		1	**CLAR NOTES, -Camera Mounting Location #1 = Below Driver's Turn Signal Housing. -Camera Mounting Location #2 = Below Officer's Turn Signal Housing. -Camera Mounting Location #3 = Rear of Body, below top 14x8 step on Officer's side. -Camera Monitor Mounting Location Below Overhead Command Console Position 3.

PUMP & PLUMBING

Line	Item #	Qty	
232	60090000	1	PUMP, HALE QMAX-1500 GPM SINGLE STAGE
233	60025000	1	GEARBOX, HALE, G-SERIES, REAR MOUNTED
234	60025950	1	PUMP GEARBOX YOKE, 1710
235	60026000	1	PUMP PACKING, HALE
236	60031005	1	ALLOY ANODES, HALE (2)
237	60035123	1	PUMP TEST, THIRD PARTY TESTING
238	61510000	1	AUXILIARY COOLER (HEAT EXCHANGER)
239	62010002	1	STAINLESS STEEL PIPING
240	66090010	1	3" TANK-TO-PUMP W/CHECK VALVE
241	61729120	1	VALVE, AKRON, HEAVY DUTY
242	61770910	1	ACTUATOR, VALVE, T-HANDLE, CLASS 1
243	73090001	1	TANK FILL 2"
244	61729120	1	VALVE, AKRON, HEAVY DUTY
245	61770910	1	ACTUATOR, VALVE, T-HANDLE, CLASS 1
246	61090003	1	PRESSURE GOVERNOR, CLASS 1 TPGJ1939
247	61290020	1	INTAKE PRESSURE CONTROL, TFT A1860
248	63021500	1	6" MAIN SUCTION, LEFT SIDE
249	63090001	1	HALE MASTER INTAKE VALVE, ELEC (SIDE SUCTION)
250	63060100	1	RELIEF VALVE FOR MIV
251	65090000	1	2.5" LEFT SIDE INLET
252	61729120	1	VALVE, AKRON, HEAVY DUTY
253	61770910	1	ACTUATOR, VALVE, T-HANDLE, CLASS 1
254	60036010	1	THREADS, NST
255	63025500	1	6" MAIN SUCTION, RIGHT SIDE
256	63090001	1	HALE MASTER INTAKE VALVE, ELEC (SIDE SUCTION)
257	63060100	1	RELIEF VALVE FOR MIV

Line	Item #	Qty	
258	64090000	1	2.5" RIGHT SIDE INLET
259	61729120	1	VALVE, AKRON, HEAVY DUTY
260	61770910	1	**REV-A** ACTUATOR, VALVE, T-HANDLE, CLASS 1
261	60036010	1	THREADS, NST
262	70525900	1	2.5" DISCHARGE, LEFT - POSITION 1
263	61729120	1	VALVE, AKRON, HEAVY DUTY
264	61770910	1	ACTUATOR, VALVE, T-HANDLE, CLASS 1
265	77090000	1	GAUGE, DISCH, CLASS 1 2.5"
266	61810150	1	DISCHARGE TERMINATION, 30 DEGREE ELBOW
267	60036010	1	THREADS, NST
268	61840100	1	ADAPTER, 2.5"NST FE X 1.5" NST M W/CAP & CHAIN - STRAIGHT
269	70525900	1	2.5" DISCHARGE, LEFT - POSITION 2
270	61729120	1	VALVE, AKRON, HEAVY DUTY
271	61770910	1	ACTUATOR, VALVE, T-HANDLE, CLASS 1
272	77090000	1	GAUGE, DISCH, CLASS 1 2.5"
273	61810150	1	DISCHARGE TERMINATION, 30 DEGREE ELBOW
274	60036010	1	THREADS, NST
275	61840100	1	ADAPTER, 2.5"NST FE X 1.5" NST M W/CAP & CHAIN - STRAIGHT
276	71025905	1	3" DISCHARGE, RIGHT - POSITION 3
277	61729160	1	VALVE, AKRON, SLOW CLOSE
278	61770910	1	ACTUATOR, VALVE, T-HANDLE, CLASS 1
279	77090000	1	GAUGE, DISCH, CLASS 1 2.5"
280	61810160	1	DISCHARGE TERMINATION, STRAIGHT
281	60036010	1	THREADS, NST
282	88888888	1	SPECIAL ITEM, ADAPTER FOR DISCHARGE #3 TFT AH1ST-NL 30 DEGREE W/CAP AND CHAIN
283	71025900	1	2.5" DISCHARGE, RIGHT - POSITION 4

Line	Item #	Qty	
284	61729120	1	VALVE, AKRON, HEAVY DUTY
285	61770910	1	ACTUATOR, VALVE, T-HANDLE, CLASS 1
286	77090000	1	GAUGE, DISCH, CLASS 1 2.5"
287	61810150	1	DISCHARGE TERMINATION, 30 DEGREE ELBOW
288	60036010	1	THREADS, NST
289	61840100	1	ADAPTER, 2.5"NST FE X 1.5" NST M W/CAP & CHAIN - STRAIGHT
290	71890000	1	DISCHARGE 2.5" RIGHT REAR
291	61729120	1	VALVE, AKRON, HEAVY DUTY
292	61770910	1	ACTUATOR, VALVE, T-HANDLE, CLASS 1
293	77090000	1	GAUGE, DISCH, CLASS 1 2.5"
294	61810150	1	DISCHARGE TERMINATION, 30 DEGREE ELBOW
295	60036010	1	THREADS, NST
296	61840100	1	ADAPTER, 2.5"NST FE X 1.5" NST M W/CAP & CHAIN - STRAIGHT
297	72030800	1	**DIFFERENT THAN LAST TRUCK** **REV-A** DISCHARGE 2.5" FRONT/RIGHT OF MAIN HOSEBED
298	61729120	1	**DIFFERENT THAN LAST TRUCK** **REV-A** VALVE, AKRON, HEAVY DUTY
299	61770910	1	**DIFFERENT THAN LAST TRUCK** **REV-A** ACTUATOR, VALVE, T-HANDLE, CLASS 1
300	77090000	1	**DIFFERENT THAN LAST TRUCK** **REV-A** GAUGE, DISCH, CLASS 1 2.5"
301	61810160	1	**DIFFERENT THAN LAST TRUCK** **REV-A** DISCHARGE TERMINATION, STRAIGHT
302	60036010	1	**DIFFERENT THAN LAST TRUCK** **REV-A** THREADS, NST
303	72280010	1	2.5" FRONT BUMPER DISCHARGE, 2.5" PLUMBING
304		1	**CLAR NOTES, -Front Bumper Swivel Location/Side = Officer's side. -Front Discharge Swivel Location/Trough = Top of Bumper.
305	61729120	1	VALVE, AKRON, HEAVY DUTY

Line	Item #	Qty	
306	61770910	1	ACTUATOR, VALVE, T-HANDLE, CLASS 1
307	77090000	1	GAUGE, DISCH, CLASS 1 2.5"
308	60036010	1	THREADS, NST
309	72590002	1	DECK GUN DISCHARGE 3"
310	61729160	1	VALVE, AKRON, SLOW CLOSE
311	61770910	1	ACTUATOR, VALVE, T-HANDLE, CLASS 1
312	77090000	1	GAUGE, DISCH, CLASS 1 2.5"
313	72570100	1	DECK GUN TERMINATION, THREADED
314	88888888	1	**DIFFERENT THAN LAST TRUCK** **REV-A** SPECIAL ITEM, DECK GUN MONITOR AKRON 3426 W/STACKED TIPS
315	72570200	1	EXTEND-A-GUN, TASK FORCE TIPS XG18, MANUAL
316		1	**REV-A** **CLAR NOTES, -Rotate Extend-A-Gun so that Deck Gun is facing forward when deployed. -See Reference Photo #02 on shared drive.
317		1	
318	72890001	1	SPEEDLAYS, TWO 2" W/1.5" SWIVEL (TOP MOUNT)
319		1	**REV-A** **CLAR NOTES, -(2) 200' of 1.75". (Triple Stack) -Hose Brand = Key Hose.
320	61729120	2	VALVE, AKRON, HEAVY DUTY (2)

Line	Item #	Qty	
321	61770910	2	ACTUATOR, VALVE, T-HANDLE, CLASS 1 (2)
322	77090000	2	GAUGE, DISCH, CLASS 1 2.5" (2)
323	60036010	2	THREADS, NST (2)
324	88888888	1	SPECIAL ITEM, WIDEN SPEEDLAY AREA TO FIT TRIPLE STACKS (REDUCING WALKWAY TO 20")
325	72910702	1	COVER, WEBBING FOR SPEEDLAYS
326		1	**ENG Crosslay/Speedlay Side Covers Color = Black.
327	81440201	1	**REV-A** COVER FASTENERS, BUNGIE CORDS WITH RED TAB
328		1	**REV-A** **ENG Fixed on bottom, bungies on top.
329	61742000	1	MASTER PUMP DRAIN, MULTIPOINT
330	61790510	11	**DIFFERENT THAN LAST TRUCK** **REV-A** DRAIN VALVES, HALE, LIFT-UP (11)
PUMP PANEL			
331	74914200	1	PRG TM1 - TOP MOUNT PUMP PANEL
332	88888888	1	SPECIAL ITEM, PUMP MODULE LENGTH, 74" W/20" WALKWAY
333	74929120	1	HALE PUMP MODULE CONFIGURATION, TOP MOUNT
334	74930735	1	PANEL FINISH, BLACK POWDERCOAT, TM (PRG)
335		1	**REV-A** **ENG Pump Panel Label Verbiage Standard = Yes.
336	74931055	1	COLOR CODING (PRG)
337		1	**REV-A** **CLAR NOTES, -Color Coding Standard = No. -Pump Intake = Burgundy. -Tank Fill = Lime Green. -Pump Inlets = Burgundy. -#1 Discharge = Brown. -#2 Discharge = White. -#3 Discharge = Med. Blue. -#4 Discharge = Black. -Top Speedlay = Yellow. -Bottom Speedlay = Red. -Right Rear Discharge = Light Blue. -Deck Gun = Silver. -Match HS-7019 Howell, MI.
338	88888888	1	**REV-A** SPECIAL ITEM, ADDITIONAL LABELS ON PUMP PANEL

Line	Item #	Qty	
339		1	**REV-A** **CLAR NOTES, -Add a label above each actuator on the pump panel with the corresponding color and verbiage. -Match HS-7019, Howell, MI.
340	74931290	1	PUMP MODULE FRAMEWORK, SWIRL FINISH
341	74931390	1	PUMP FINISH, PAINTED BY PUMP MFG
342	74931590	1	PLUMBING FINISH, NON-PAINTED
343		1	**ENG Non-Painted Plumbing = Stainless steel welds shall be treated/coated.
344	74931692	1	EXTERIOR DUNNAGE AREA PANEL, BLACK POWDERCOAT
345	76030410	1	INNOVATIVE CONTROLS GAUGE HEATER BOX WITH FOUR TAPES
346	76030411	8	**DIFFERENT THAN LAST TRUCK** **REV-A** ADDITIONAL IC HEAT TAPES (8)
347	76031800	1	**REV-A** PUMP COMPARTMENT HEATER WITH 12V FAN (PPR)
348	75040230	1	FLOATING TROUGH IN RUNNING BOARD, BOTH SIDES
349		1	**ENG Running Board Trough Cover = Velcro Straps.
350	75590010	1	PUMP OPERATOR LIGHTS, LED (PRG)
351	75590210	1	PUMP PANEL LIGHTS ONE EA SIDE, LED (PRG)
352	76090002	1	PUMP PANEL GAUGES & CONTROLS (PRG)
353	60090035	1	**DIFFERENT THAN LAST TRUCK** **REV-A** PUMP PRIMER, TRIDENT, AUTO
354	60028310	1	(1) PRIMER BUTTON - MAIN SUCTION
355	76025110	1	COMPRESSION FITTINGS ON AIR SYSTEM (PRG PUMP MODULE)
356	76031970	1	AIR OUTLET, DRIVER'S SIDE PUMP PANEL
357	76030900	1	HALE TRV-L THERMAL RELIEF VALVE WITH LIGHT AT PUMP PANEL
358	76031900	1	AIR HORN PUSH BUTTON SWITCH ON PUMP PANEL
359		1	**CLAR NOTES, -Air Horn Push Button Location = Readily visible location on pump panel. -Air Horn Push Button Color = Red Button.
360	88399940	5	**DUPLICATE CALL OUT** **REV-A** ADDITIONAL SWITCH, 3-WAY FOR 12V LIGHTS (EA) (5)

Line	Item #	Qty	
361		1	<p>**DUPLICATE CALL OUT**</p> <p>**REV-A**</p> <p>**CLAR NOTES,</p> <ul style="list-style-type: none"> -There will be a 4-switch cluster on the pump panel switched with "Front Scene", "Left Scene", "Right Scene", and "Rear Scene". -There will be a 1-switch cluster to the right of the 4-switch cluster switched with "Master Emergency". -The 4-switch cluster will be mounted as close as possible to the Air Horn Button and to the left of the 1-switch cluster. -Innovative Controls Switch Clusters with LED indicators. -Match HS-7019 Howell, MI. (The final photos of HS-7019 were taken before the update was made to HS-7019 at Final. Do not reference those for this item)
362	76590000	1	GAUGES, MASTER, CLASS 1 4.5" (PRG)
363	77590000	1	GAUGE, WATER LEVEL, CLASS 1, INTELLI-TANK ITL-4
364	77532113	1	<p>**REV-A**</p> <p>GAUGE, WATER LEVEL, WHELEN PSTANK2 LED (3)</p>
365		1	<p>**REV-A**</p> <p>**CLAR NOTES,</p> <ul style="list-style-type: none"> -Whelen Gauge Locations = Driver's side of Cab, behind Crew Door, high. -Whelen Gauge Locations = Officer's side of Cab, behind Crew Door, high. -Whelen Gauge Locations = Rear of Body, Driver's side, below Whelen 900 Scene Light. -Whelen Water Level Gauge Color = Multi Color. -Wired to pump engagement.
WATER TANK			
366	83525200	1	WATER TANK BRAND, UPF
367	83590005	1	WATER TANK, 1000 GAL, POLY
BODY			
368	80029900	1	BODY SUBFRAME, PUMPER/TANKER
369	80190290	1	BODY S9 - ALUM 43/53 LAD THRU TANK
370	80245012	1	UPPER HATCH COMPARTMENT, LEFT & RIGHT SIDES
371		1	<p>**REV-A**</p> <p>**CLAR NOTES,</p> <ul style="list-style-type: none"> -Hatch compartment T-Handles shall be mounted on the forward ends of the forward hatch compartments and the rearward ends of the rearward hatch compartments. -Match HS-7019 Howell, MI.
BODY COMPARTMENTS			

Line	Item #	Qty	
			<p style="text-align: center;">Standard Verbiage for locations of Outlets and other components in Body compartments</p> <p style="text-align: center;">Legend</p> <p>Inboard— Toward center of truck / frame rails</p> <p>Outboard— Toward compartment doors</p> <p>Left/Right wall— Looking at compartment, wall which is to your left or right</p>
372	81150100	1	<p>**REV-A**</p> <p>250# ROLL OUT DRAWER ADJUSTABLE TRACK [L1] (1)</p>
373		1	<p>**REV-A**</p> <p>**CLAR NOTES,</p> <ul style="list-style-type: none"> -Mounted to the left of the fixed vertical divider and 34.5" above the floor of the compartment. -Customer will be storing a 34" tall Toolbox to the left of the vertical divider and under the 250# Roll Out Drawer. -Match HS-7019 Howell, MI.
374	81140100	2	FIXED VERTICAL DIVIDER [L1] (2)
375		1	<p>**REV-A**</p> <p>**CLAR NOTES,</p> <ul style="list-style-type: none"> -(1) Mounted 17" from the right compartment door opening. -(1) Mounted in the center of the 250# Roll Out Drawer, separating left from right. -Match HS-7019 Howell, MI.
376	81130200	3	ADJUSTABLE SHELF [L1] (3)
377		1	**ENG Mounted to the right of the fixed vertical divider.
378	80250100	5	<p>**REV-A**</p> <p>TURTLE TILE ON COMPT FLOOR, SHELF, TRAY OR DRAWER [L1] (5)</p>
379	80280410	1	<p>**REV-A**</p> <p>3/16" ALUMINUM MOUNTING PLATE [L2] (1)</p>
380		1	<p>**REV-A**</p> <p>**ENG Mounted on inboard wall.</p>
381	81150050	1	250# ADJUSTABLE SWING-OUT TOOL BOARD [L2] (1)
382	80250100	1	TURTLE TILE ON COMPT FLOOR, SHELF, TRAY OR DRAWER [L2] (1)

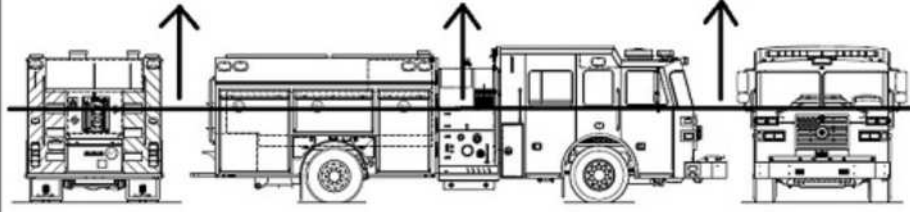
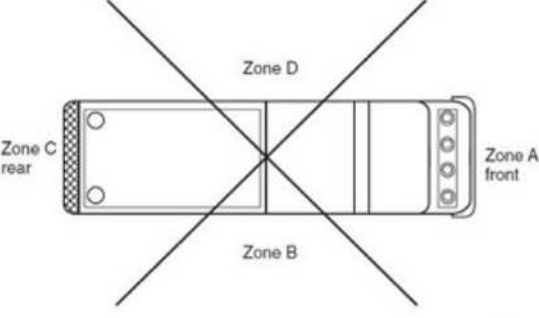
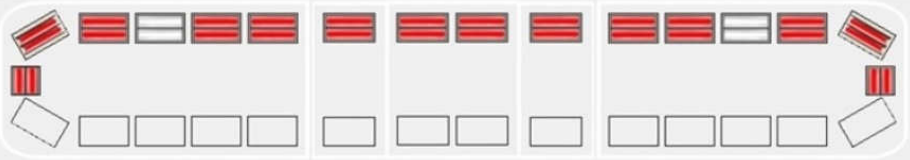
Line	Item #	Qty	
383	81130200	1	ADJUSTABLE SHELF [L3] (1)
384		1	**ENG Mounted to the left of the left fixed vertical divider.
385	81140100	2	FIXED VERTICAL DIVIDER [L3] (2)
386		1	<p>**DIFFERENT THAN LAST TRUCK** **REV-A** **CLAR NOTES, -(1) Mounted 11" from the left-side door opening. -(1) Mounted 10" from the right-side door opening. -Upper inboard corners of fixed vertical dividers shall be notched so that cords can be run between the different sections of the compartment.</p>
387	81150000	1	250# ADJUSTABLE VERTICAL SLIDE-OUT PANEL [L3] (1)
388		1	**ENG Mounted between the fixed vertical dividers.
389	80250100	2	TURTLE TILE ON COMPT FLOOR, SHELF, TRAY OR DRAWER [L3] (2)
390	81130200	2	ADJUSTABLE SHELF [R1] (2)
391		1	**ENG Mounted to the left of the fixed vertical divider.
392	81140100	1	FIXED VERTICAL DIVIDER [R1] (1)
393		1	**ENG Mounted 12" from the right-side door opening.
394	81150000	1	250# ADJUSTABLE VERTICAL SLIDE-OUT PANEL [R1] (1)
395		1	**ENG Mounted to the right of the fixed vertical divider.
396	81150305	1	600# SLIDE-MASTER TRAY, 100% SLIDEOUT [R1] (1)
397		1	**ENG Mounted to the left of the fixed vertical divider.
398	80250100	4	<p>**REV-A** TURTLE TILE ON COMPT FLOOR, SHELF, TRAY OR DRAWER [R1] (4)</p>
399	81150200	1	250# SLIDE-MASTER SLIDE OUT/TILT DOWN DRAWER [R2] (1)
400		1	<p>**CLAR NOTES, -Mounted above Fire Extinguisher Holder. -Drawer will hold Husqvarna 455 Rancher Chainsaw. -Reference HS-7019 Howell, MI for exact mounting location.</p>
401	80250100	2	TURTLE TILE ON COMPT FLOOR, SHELF, TRAY OR DRAWER [R2] (2)
402	88888888	1	SPECIAL ITEM, FIRE EXTRINGUISHER HOLDER [R2] (1)
403		1	<p>**CLAR NOTES, -Mounted below 250# Slide-Out/Tilt-Down. -Will hold (2) 2 ½ Gallon Water Extinguisher and (2) Dry Chemical 20lb. Extinguisher. -Holder coated with black raptor. -Reference HS-7019 Howell, MI.</p>

Line	Item #	Qty	
404	81130200	3	ADJUSTABLE SHELF [R3] (3)
405		1	**CLAR NOTES, -(2) Mounted to the left of the fixed vertical divider. -(1) Mounted to the right to the fixed vertical divider 38" above the compartment floor.
406	81140100	1	FIXED VERTICAL DIVIDER [R3] (1)
407		1	**DIFFERENT THAN LAST TRUCK** **REV-A** **CLAR NOTES, -Mounted 16" from the right-side door opening. -Upper inboard corners of fixed vertical dividers shall be notched so that cords can be run between the different sections of the compartment.
408	80250100	4	TURTLE TILE ON COMPT FLOOR, SHELF, TRAY OR DRAWER [R3] (4)
409	81150305	1	600# SLIDE-MASTER TRAY, 100% SLIDEOUT [A1] (1)
410	80250100	1	TURTLE TILE ON COMPT FLOOR, SHELF, TRAY OR DRAWER [A1] (1)
411		1	**ENG Turtle Tile Color = Black.
412	81165705	1	UNISTRUT TRACK IN COMPTS
413	80290025	1	COMPT DOORS, AMDOR ROLL-UP, SATIN FINISH
414	80230600	1	DOOR SILL PROTECTION, BODY COMPTS, PROTEC, CLEAR FILM
415	80225200	1	REAR COMPT DOOR (A1) HINGED, ALUM, PAINTED
416		1	**ENG Painted Job Color, Red.
417	80230650	1	**REV-A** DOOR SILL PROTECTION, REAR COMPT, NOT PROVIDED
418	80230300	1	COMPT INTERIOR FINISH, SMOOTH
419	80230450	1	HINGED REAR COMPT DOOR INTERIOR FINISH, SMOOTH
420	84531230	1	COMPT LIGHTING, AMDOR LED LIGHT STRIPS, 2 PER COMPT
BODY EXTERIOR			
421	81390000	1	HOSEBED, REMOVABLE ALUM FLOORING
422		1	**DIFFERENT THAN LAST TRUCK** **REV-A** **CLAR NOTES, -List the Hose Bed Load Req. (Left to Right) = -800' of 5". (Quadruple Stack) -700' of 2.5". (Quintuple Stack) -150' of 2.5" (Single Stack) -Backboard Storage.

Line	Item #	Qty	
423	81330100	1	STANDARD HOSEBED HEIGHT
424	81410200	1	COVER, ALUMINUM 2 PC, MAIN HOSE BED
425	81331150	1	ALUM HOSEBED COVER SUPPORT, FIXED CENTER
426	81431300	1	**DIFFERENT THAN LAST TRUCK** **REV-A** REAR HOSEBED COVER, VINYL
427		1	**ENG Hosebed Cover Color = Black.
428	81440201	1	**DIFFERENT THAN LAST TRUCK** **REV-A** COVER FASTENERS, BUNGIE CORDS WITH RED TAB
429		1	**DIFFERENT THAN LAST TRUCK** **REV-A** **CLAR NOTES, -(1) Piece of Vinyl for each half of the rear hose bed. -Fixed on Hosebed Cover Doors so that covers are moved up and out of the way when the doors are opened. -Bungies on the bottom. -Vinyl Covers will Velcro together at the center. -Each piece of Vinyl will be weighted towards the bottom.
430	81330300	1	**DIFFERENT THAN LAST TRUCK** **REV-A** HOSE BED DIVIDER, ADJ (1)
431	89050700	1	BACKBOARD STORAGE COMPARTMENT, HOSE BED
432		1	**DIFFERENT THAN LAST TRUCK** **REV-A** **CLAR NOTES, -Mounted on right side of Hose Bed. -Open at rear with a Velcro strap. -Reference HS-7019 Howell, MI for concept only.
433	81332120	1	**REV-A** HOSEBED LIGHTING, SIDES, FEDERAL SIGNAL COMPLEX LED LIGHT STRIPS
434		1	**REV-A** **ENG Integrated into hose bed cover doors.
435	81910100	1	HANDRAILS, KNURLED STS
436	82290010	1	STEPS, FRONT BODY, IC FOLD DOWN W/LIGHT
437		1	**ENG Step Light Color = White.
438	82390001	1	STEPS, REAR BODY (14x11 & 14x8)
439		1	**CLAR NOTES, -(3) on Driver's side. -(3) on Officer's side.
440	82510000	1	RUB RAILS, ANODIZED ALUM

Line	Item #	Qty	
441	83089500	1	ALUMINUM TREADPLATE (PRG2)
442	83030315	1	REAR STEP/TAILBOARD CORNERS, 45 DEGREE
443	80290052	1	10 SCBA CYLINDER COMPTS (3 TRIPLE-FMI, 1 SINGLE-SIG4)
444		1	**ENG A triple bottle compartment cannot be located on the driver's side behind rear axle.
445	80290230	1	DIVIDER FOR (3) TRIPLE SCBA COMPARTMENTS
446		1	**REV-A** **CLAR NOTES, -6.5" Diameter Bottle, the same as HS-7019 Howell, MI. -Divider Location = Divider to split compartments into thirds.
447	80290310	1	DOOR FINISH, BRUSHED STAINLESS, SINGLE/DOUBLE SCBA COMPT (1)
448	80290420	3	DOOR FINISH, BRUSHED STAINLESS, TRIPLE SCBA COMPT (3)
449	88520100	1	SUCTION HOSE, (2) 10' SECT 6" KOCEK LIGHTWEIGHT
450		1	**ENG Suction Hose Location = Mounted in Ladder Chute.
451	88540350	1	SUCTION HOSE MOUNTED IN LADDER CHUTE
452	88550100	1	STRAINER, 6" KOCEK BARREL
453	83030705	1	REAR FENDERS, ALUMINUM TREADPLATE
454	89011500	1	ALCO-LITE PEL-24 24'2 SEC & PRL-14 14' ROOF & 10' FOLDING
455	89590007	1	LADDER CHUTE W/SUCTION HOSE STORAGE & PIKE POLE STORAGE
456		1	**CLAR NOTES, -Will hold full complement of ladders. -(2) Pike Poles. -(2) 10' Section 6" Kocek Suction Hoses.
457	89520220	1	**REV-A** LADDER ENCLOSURE, SMOOTH ALUM DOOR
458		1	**REV-A** **CLAR NOTES, -Smooth aluminum door with chevrons applied by AGI. -Hinged to the left. -(1) Black C-2 latch.
ELECTRICAL			
459	84550110	1	LICENSE PLATE BRACKET W/ LIGHT, LED
460		1	**ENG Mounted below middle rear body step on Officer's side.
461	84511100	1	BODY ELECTRICAL DESCRIPTION

Line	Item #	Qty	
462	15040100	6	**DUPLICATE CALL OUT** **DIFFERENT THAN LAST TRUCK** **REV-A** 120V OUTLET WIRED TO SHORELINE INLET - EA (6)
463		1	**DUPLICATE CALL OUT** **DIFFERENT THAN LAST TRUCK** **REV-A** **CLAR NOTES, -Nema Number = 5-20 House Plug Duplex. -(1) Mounted vertically on the forward angled corner of the AC/Heat Unit facing towards the Driver's seat. -(1) Mounted vertically on the forward angled corner of the AC/Heat Unit facing towards the Officer's seat. -(1) Mounted in L1, right hand wall, top right corner. -(1) Mounted in R1, left hand wall, top left corner. -(1) Mounted in L3, left hand wall, top left corner. -(1) Mounted in R3, high on inboard wall, 3" to the right of the right of the fixed vertical divider. -All outlets tied to inverter.
464	84520000	1	BACK UP ALARM, ECCO SA917
465	85010420	1	**DIFFERENT THAN LAST TRUCK** **REV-A** TAILLIGHTS, WHELEN M6 SERIES, LED STOP/TAIL/TURN/REVERSE, QUAD HOUSING (PAIR)
466		1	**ENG Taillight Housing Color = Chrome.
467	85110100	1	ICC LIGHTS, LED
468	85510200	1	STEP LIGHTS, LED, REAR BODY & WHELEN 2G AT PUMP PANEL
469	85710010	1	UNDERCARRIAGE GROUND LIGHTS, TRUCK-LITE #44042C LED
470	86528999	1	DELETE REAR WORK LIGHTS
471	86600000	1	OPTICAL WARNING SYSTEM, UPPER (PUMPER)


Line	Item #	Qty	
			<p style="text-align: center;">UPPER WARNING SYSTEM (FROM BOTTOM OF WINDSHIELD UP)</p>  <p style="text-align: center;">Side Warning Zones Explained (Looking down on truck from sky)</p> 
472	86610140	1	<p>**DIFFERENT THAN LAST TRUCK** **REV-A** UPPER WARNING LIGHTS, ZONE A (FRONT), WHELEN FREEDOM IV 72" LED LIGHT BAR, F4N7QLED, 16 MODULES</p>
473		1	
474	86920100	1	UPPER ZONE A LIGHTBAR, STANDARD CONFIGURATION
475		1	<p>**DIFFERENT THAN LAST TRUCK** **REV-A** **CLAR NOTES, -Zone A, Upper Lightbar Standard Configuration = Single light bar: (2) end red LED modules, (2) corner red LED modules, (10) forward-facing red LED modules and (2) forward-facing white LED modules. -All clear outer lenses. -Installed on the cab roof as far forward as possible with two (2) MK8H 5in. cast aluminum risers.</p>
476	86699998	1	UPPER WARNING LIGHTS, ZONE B (OFFICER'S SIDE), COVERED BY ZONES A & C (SURFACE MOUNT)
477	86710305	1	<p>**DIFFERENT THAN LAST TRUCK** **REV-A**</p>

Line	Item #	Qty	
			UPPER WARNING LIGHTS, ZONE C (REAR), WHELEN LED, M9 SERIES SURFACE MOUNT, M9* (QTY 4)
478		1	<p>**DIFFERENT THAN LAST TRUCK** **REV-A** **CLAR NOTES, -Red LEDs/Clear Lenses/Black Flanges. -(1) Mounted on each side of body, top rear corners, rearward of Whelen Pioneer Scene Lights. -Red LEDs/Clear Lenses/Chrome Flanges. -(1) Pair, mounted on rear of body, top outboard corners, above Whelen M9 Scene Lights.</p>
479	86899998	1	UPPER WARNING LIGHTS, ZONE D (DRIVER'S SIDE), COVERED BY ZONES A & C (SURFACE MOUNT)
480	87100000	1	OPTICAL WARNING SYSTEM, LOWER (PUMPER)
			<div style="border: 1px solid black; padding: 10px;"> <p style="text-align: center;">LOWER WARNING SYSTEM (FROM BOTTOM OF WINDSHIELD DOWN)</p> <p style="text-align: center;">Side Warning Zones Explained (Looking down on truck from sky)</p> <p style="text-align: center;">Zone D</p> <p style="text-align: center;">Zone C rear Zone A front</p> <p style="text-align: center;">Zone B</p> </div>
481	87110110	1	LOWER WARNING LIGHTS, ZONE A (FRONT), WHELEN 600 SUPER LED, 60*02F*R (QTY 4)
482	87110210	1	<p>**DIFFERENT THAN LAST TRUCK** **REV-A** LOWER WARNING LIGHTS, ZONE A (FRONT), WHELEN M6 LED, M6* (QTY 4)</p>
483		1	<p>**DIFFERENT THAN LAST TRUCK** **REV-A** **CLAR NOTES, -(2) Outboard Lights and (1) Inboard Light on the Driver's side = Red LEDs/Clear Lenses/Chrome Flanges. (Flange Model: M6FC600) -(1) Inboard Light on Officer's side = Green LED/Clear Lense/Chrome Flange. (Flange Model: M6FC600)</p>
484	87530100	1	<p>**DIFFERENT THAN LAST TRUCK** **REV-A**</p>

Line	Item #	Qty	
			WARNING LIGHT FLANGES ON HEADLIGHT HOUSING FOR WHELEN M6 M6FC600 (6)
485		1	**DIFFERENT THAN LAST TRUCK** **REV-A** **ENG Flanges for (6) Whelen M6 Warning Lights on front face of turn signal housings and sides of headlight housings.
486	87811130	1	LOWER, ZONE A - MOUNTING LOCATION (DUAL HOUSINGS)
487		1	**ENG Zone A, Lower Front, Mounting Location = (2) Warnings in top headlight housing, each side.
488	88888888	1	**DIFFERENT THAN LAST TRUCK** **REV-A** SPECIAL ITEM, LOWER WARNING LIGHTS, ZONE B (OFFICER'S SIDE), WHELEN M6 LED, M6* (QTY 1), WHELEN 500 LINEAR-FLASHING LED, 50R02ZCR (QTY 1), ION T-SERIES LED, TLI* (QTY 1)
489		1	**DIFFERENT THAN LAST TRUCK** **REV-A** **CLAR NOTES, -Zone B, Lower Officer's Side Warning Light Color, Lens Color, Details = Red LED/Clear Lenses/Chrome Flanges. -M6 Flange Model: M6FC600. -Whelen 500 Linear-Flashing Flange Model: 5FLANGEC.
490	87812110	1	LOWER, ZONE B - MOUNTING LOCATION (PUMPERS, TANKERS, RESCUES)
491		1	**DIFFERENT THAN LAST TRUCK** **REV-A** **CLAR NOTES, -Zone B, Lower Officer's Side, Mounting Location = -(1) Warning Light near the front corner of the Apparatus. (Whelen M6 on side of Headlight Housing) -(1) Warning Light near the rear Axle. (Whelen 500 Linear-Flashing on rear fender above and forward of rear axle) -(1) Warning Light near the rear corner of the Apparatus. (Whelen Ion-T, below R3 compartment, in rub rail, towards the rear) -Reference Shop Order Drawing for lights and placement.
492	87310200	1	**DIFFERENT THAN LAST TRUCK** **REV-A** LOWER WARNING LIGHTS, ZONE C (REAR), WHELEN M6 LED, M6* (QTY 2)
493		1	**ENG Zone C, Lower Rear Warning Light Color, Lens Color, Details = Red LED/Clear Lenses.
494	88888888	1	**DIFFERENT THAN LAST TRUCK** **REV-A** SPECIAL ITEM, LOWER WARNING LIGHTS, ZONE D (DRIVER'S SIDE), WHELEN M6 LED, M6* (QTY 1), WHELEN 500 LINEAR-FLASHING LED, 50R02ZCR (QTY 1), ION T-SERIES LED, TLI* (QTY 1)
495		1	**DIFFERENT THAN LAST TRUCK** **REV-A** **CLAR NOTES, -Zone D, Lower Driver's Side Warning Light Color, Lens Color, Details = Red LED/Clear Lenses/Chrome Flanges. -M6 Flange Model: M6FC600. -Whelen 500 Linear-Flashing Flange Model: 5FLANGEC.
496	87814110	1	LOWER, ZONE D - MOUNTING LOCATION (PUMPERS, TANKERS, RESCUES)

Line	Item #	Qty	
497		1	<p>**DIFFERENT THAN LAST TRUCK** **REV-A** **CLAR NOTES, - Zone D, Lower Driver's Side, Mounting Location = -(1) Warning Light near the front corner of the Apparatus. (Whelen M6 on side of Headlight Housing) -(1) Warning Light near the rear Axle. (Whelen 500 Linear-Flashing on rear fender above and forward of rear axle) -(1) Warning Light near the rear corner of the Apparatus. (Whelen Ion-T, below L3 compartment, in rub rail, towards the rear) -Reference Shop Order Drawing for lights and placement.</p>
498	87537734	2	<p>**DIFFERENT THAN LAST TRUCK** **REV-A** ADDITIONAL WARNING LIGHTS, WHELEN M6 LED, M6* (PAIR) (2)</p>
499		1	<p>**CLAR NOTES, -Red LED/Clear Lenses/Chrome Flanges. -(1) Mounted on each side of cab, above exterior cab compartments and below the paint break line. -Green LED/Clear Lenses/Chrome Flanges. -(1) Pair, rear of body, midship, outboard. -Reference Shop Order Drawing for lights and placement.</p>
500	87537744	1	<p>**DIFFERENT THAN LAST TRUCK** **REV-A** ADDITIONAL WARNING LIGHTS, WHELEN M9 SERIES LED, M9* (PAIR)</p>
501		1	<p>**CLAR NOTES, -Red LED/Clear Lenses/Black Flanges. -(1) Each side of body, top forward corners, forward of Whelen 12V Scene Lights.</p>
502	87537738	1	<p>**DIFFERENT THAN LAST TRUCK** **REV-A** ADDITIONAL WARNING LIGHTS, WHELEN ION T-SERIES LED, TLI*(PAIR)</p>
503		1	<p>**DIFFERENT THAN LAST TRUCK** **REV-A** **CLAR NOTES, -Red LEDs/Clear Lenses/Chrome Flanges. -(1) Each side of body, in rub rail, below L1/R1, rearward of ICC light.</p>
504	88888888	1	<p>**DIFFERENT THAN LAST TRUCK** **REV-A** SPECIAL ITEM, CUSTOM FLASH PATTERNS FOR WARNING LIGHTS</p>
505		1	<p>**DIFFERENT THAN LAST TRUCK** **REV-A** **CLAR NOTES, -Warning Lights to be synchronized by group and will alternate between Group 1 and Group 2. -Flash Pattern = Comet Flash 75. -See document in reference photo folder on shared drive.</p>
506	88888888	1	<p>**DIFFERENT THAN LAST TRUCK** **REV-A** SPECIAL ITEM, DIMMER SWITCH FOR WARNING LIGHTS</p>
507		1	<p>**DIFFERENT THAN LAST TRUCK** **REV-A** **CLAR NOTES, -When switch is activated the following warning lights shall enter Low Power Mode:</p>

Line	Item #	Qty	
			<ul style="list-style-type: none"> -(1) Whelen M6 Green LED in front headlight housing, inboard on Officer's side. -(2) Whelen M6 Green LED on rear of body, midship, outboard. -Low Power Mode Flash Pattern: Comet Flash 75. -Warning lights shall operate normally otherwise. -Switched in Cab, Overhead Console Position 1, "Green Lts Dim".
508	87040000	1	TRAFFIC ADVISOR, WHELEN LED, TAL65 36"
509		1	**CLAR NOTES, <ul style="list-style-type: none"> -Control Head mounted in Overhead Console Position 2. -Traffic Advisor mounted on rear of body, centered above Ladder Chute.
510	88393000	1	SCENE LIGHTS, FIRETECH 30K LUMENS, 12V LED, 72" 3-PIECE BROW, FT-B-72-ML-3PKIT-* (1)
511		1	**DIFFERENT THAN LAST TRUCK** **REV-A** **CLAR NOTES, <ul style="list-style-type: none"> -Black Housings and Brackets. -ICC lights integrated into LEDs. -Switched in cab, Overhead Console 1, "Front Scene". -Switched on pump panel, "Front Scene".
512	88391310	6	**DIFFERENT THAN LAST TRUCK** **REV-A** SCENE LIGHT, WHELEN PIONEER PCPSM2*, 12V LED, SURFACE MOUNT
513		1	**DIFFERENT THAN LAST TRUCK** **REV-A** **CLAR NOTES, <ul style="list-style-type: none"> -Black Housings. -(1) Each side of the cab, in raised roof portion, above fixed window. -(1) Front corners of the body, high, rearward of Whelen M9 Warning lights. -(1) Rear corners of the body, high, forward of Whelen M9 Warning lights. -Switched in Cab, Overhead Console 1, "Right Scene", "Left Scene". -Switched on pump panel, "Left Scene", "Right Scene".
514	86537816	1	**DIFFERENT THAN LAST TRUCK** **REV-A** SCENE LIGHTS, WHELEN M9 LED, SURFACE MOUNT (PAIR) (1)
515		1	**DIFFERENT THAN LAST TRUCK** **REV-A** **CLAR NOTES, <ul style="list-style-type: none"> -Chrome Flanges. -(1) Pair, rear of body, outboard corners, below Whelen M9 warning lights. -Switched in Cab, Overhead Console Position 1, "Rear Scene". -Switched on pump panel, "Rear Scene". -Wired to reverse.
516	88399940	5	**REV-A** ADDITIONAL SWITCH, 3-WAY FOR 12V LIGHTS (EA) (5)
517		1	**REV-A** **CLAR NOTES, <ul style="list-style-type: none"> -There will be a 4-switch cluster on the pump panel switched with "Front Scene", "Left Scene", "Right Scene", and "Rear Scene". -There will be a 1-switch cluster to the right of the 4-switch cluster switched with "Master Emergency". -The 4-switch cluster will be mounted as close as possible to the Air Horn Button and to the left of the 1-switch cluster.

Line	Item #	Qty	
			-Innovative Controls Switch Clusters with LED indicators. -Match HS-7019 Howell, MI.
PAINT & FINISH			
518	89910010	1	CORROSION REDUCTION PROGRAM (PROPOSALS)
519	90010020	1	PAINT SCHEME
520	90030010	1	TWO TONE CAB & BODY
521	90029930	1	PAINT BREAK #3 - TOP OF GRILLE W/ GRILLE SWOOP
			
522		1	**ENG Upper Color for Two Tone Paint = Grey.
523		1	**ENG Lower Color for Two Tone Paint = Red.
524	90030154	1	PAINT FRAME RAILS & BODY REAR DROP - BLACK
525	90030190	1	TEXTURED FRAME RAIL COATING
526	90030015	1	A/C CONDENSER PAINTED ROOF COLOR
527		1	**ENG Note Paint AC Condenser Color = Job Color, Grey.
528	90510010	1	4" LETTERING, 22K UP TO 40
529	90530010	40	ADDITIONAL 4" 22KT LETTERS (EACH) (40)
530	90530325	1	AMERICAN FLAG, VINYL OVERLAY, FRONT GRILLE
531	90530305	1	BASIC 22KT GOLD FIRE DEPT EMBLEMS (PAIR)
532	90610200	1	6" SCOTCHLITE STRIPE AROUND TRUCK
533	90630500	1	ONE PIECE "Z" STRIPE (UNDER 11-3/4")
534	90680120	1	CHEVRON STRIPING, REAR BODY OUTBOARD, REFLEXITE
535		1	**ENG Chevron Striping, Rear Body Color = #030 Red Transparent & #L2 Fluorescent Lime.

Line	Item #	Qty	
536	90680220	1	CHEVRON STRIPING, REAR COMPT DOOR, REFLEXITE
537		1	**ENG Chevron Striping, Rear Compartment Door Color = #030 Red Transparent & #L2 Fluorescent Lime.
538	90680320	1	CHEVRON STRIPING, ABOVE REAR COMPT DOOR, REFLEXITE
539		1	**ENG Chevron Striping, Above Rear Compartment Door Color = #030 Red Transparent & #L2 Fluorescent Lime.
540	90684120	1	**REV-A** CHEVRON STRIPING, LADDER ENCLOSURE DOOR, REFLEXITE
541		1	**REV-A** **ENG Chevron Striping, Ladder Enclosure Door Color = #030 Red Transparent & #L2 Fluorescent Lime.
542	90670020	1	CHEVRON STRIPING, FRONT BUMPER, REFLEXITE
543		1	**ENG Chevron Striping, Front Bumper Color = #030 Red Transparent & #L2 Fluorescent Lime.
544	88888888	1	**DUPLICATE CALL OUT** **DIFFERENT THAN LAST TRUCK** **REV-A** SPECIAL ITEM, PROTEC ON 38" EXTERIOR CAB COMPARTMENT DOORS
545		1	**DUPLICATE CALL OUT** **DIFFERENT THAN LAST TRUCK** **REV-A** **CLAR NOTES, -Clear protection film will cover the paint and graphics on the exterior of both the Driver's side and Officer's side Exterior Cab Compartment doors. -The film will protect the doors when the customer is utilizing the coat hooks on the handrails above the doors. -This option needs to be present on the AGI graphics proof, TBD@PM.
EQUIPMENT			
546	91010000	1	MISC EQUIP - (1) PINT TOUCH-UP PAINT, STAINLESS STEEL NUTS & BOLTS
547	91030700	1	ZIAMATIC SAC-44 FOLDING WHEEL CHOCKS (PAIR) MTD W/ SQCH-44H HOLDERS
548		1	**REV-B** **ENG Wheel Chock Mounting Locations = (1) Under the L1 Compartment and (1) under the L3 Compartment.
COMPLETION & WARRANTY			
549	99010000	1	MANUALS (1-PRINTED & 1-USB) WITH DVD
550	99031195	1	DEALER DELIVERY
551	99520110	1	**DIFFERENT THAN LAST TRUCK** WARRANTY, ONE YEAR
552	99521100	1	WARRANTY, FRAME, LIFETIME
553	99521200	1	WARRANTY, CAB STRUCTURAL, 10 YR.

Line	Item #	Qty	
554	99521300	1	WARRANTY, BODY STRUCTURAL, 10 YR.
555	99521400	1	WARRANTY, PAINT, 10 YR.
556	99521900	1	WARRANTIES, MAJOR VENDOR COMPONENTS