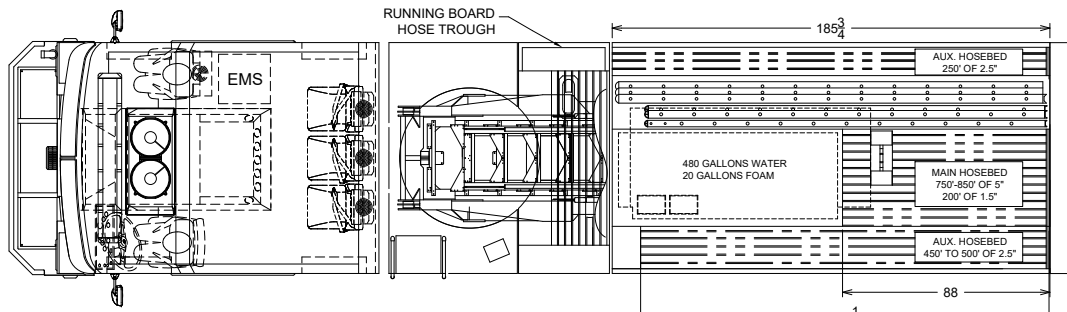
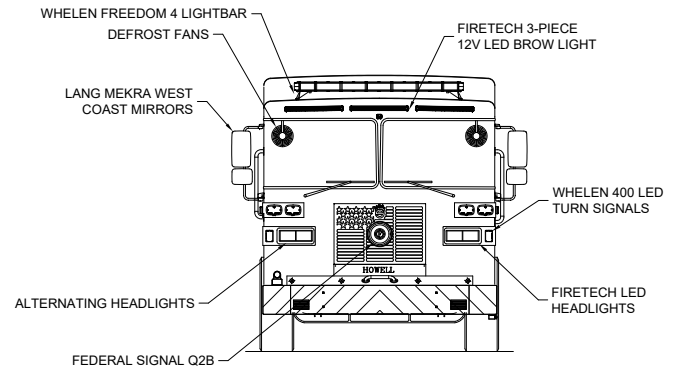
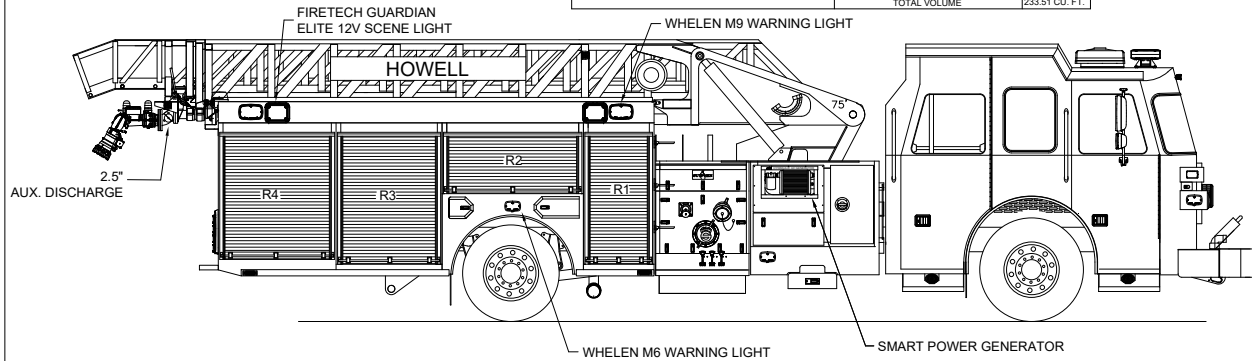
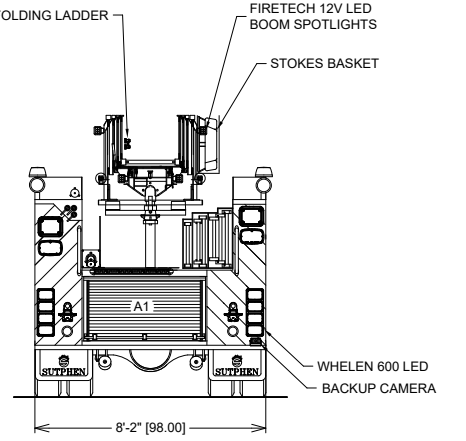
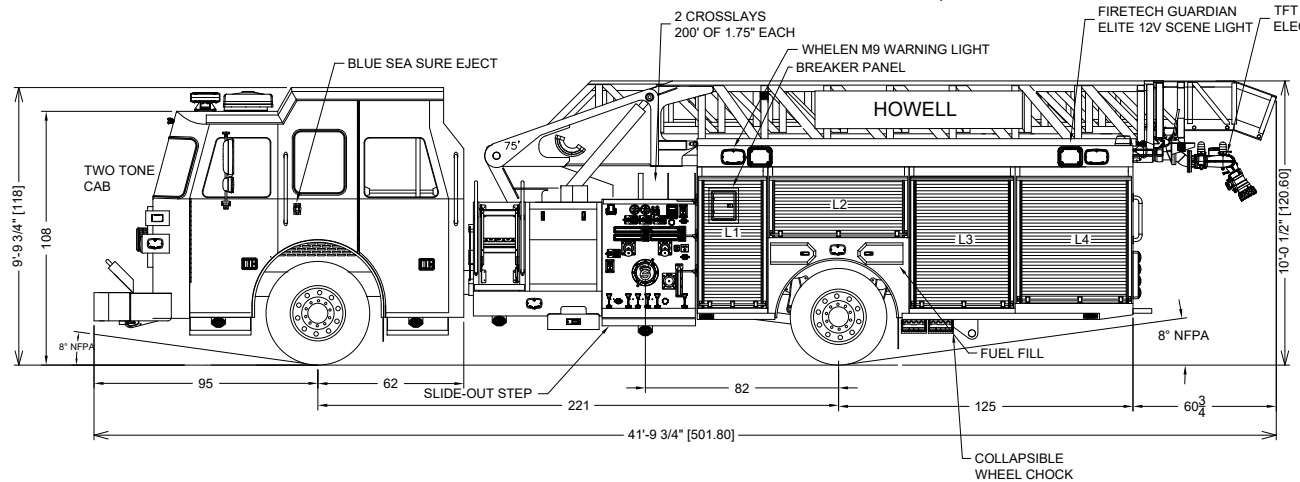


COMPT	DOORS	OPENING DIMENSIONS	INSIDE DIMENSIONS	VOLUME
L1	ROLL-UP	23.25"W x 49.50"H	29.75"W x 59.00"H x 17.75"D	18.02 CU. FT.
L2	ROLL-UP	53.25"W x 20.50"H	60.00"W x 28.25"H x 17.75"D	17.41 CU. FT.
L3	ROLL-UP	40.00"W x 49.50"H	44.75"W x 59.00"H x 17.75"D	27.72 CU. FT.
L4	ROLL-UP	43.25"W x 49.50"H	47.25"W x 57.00"H x 17.75"D	27.56 CU. FT.
A1	ROLL-UP	44.50"W x 22.50"H	53.00"W x 27.75"H x 48.00"D	40.85 CU. FT.
H1 FRONT	ROLL-UP	18.00"W x 31.00"H	22.00"W x 32.62"H x 23.40"D	9.71 CU. FT.
H1 REAR	ROLL-UP	17.00"W x 31.00"H	21.00"W x 32.62"H x 23.40"D	9.27 CU. FT.

COMPT	DOORS	OPENING DIMENSIONS	INSIDE DIMENSIONS	VOLUME
R1 UPPER	ROLL-UP	23.25"W x 20.50"H	29.75"W x 29.19"H x 12.00"D	6.01 CU. FT.
R1 LOWER	ROLL-UP	23.25"W x 28.25"H	29.75"W x 30.00"H x 22.75"D	11.81 CU. FT.
R2	ROLL-UP	53.25"W x 20.50"H	60.00"W x 28.25"H x 12.00"D	11.77 CU. FT.
R3 UPPER	ROLL-UP	40.00"W x 19.50"H	44.75"W x 29.19"H x 12.00"D	9.95 CU. FT.
R3 LOWER	ROLL-UP	40.00"W x 28.25"H	44.75"W x 30.00"H x 22.75"D	17.77 CU. FT.
R4 UPPER	ROLL-UP	43.25"W x 20.50"H	47.25"W x 28.00"H x 12.00"D	9.55 CU. FT.
R4 LOWER	ROLL-UP	43.25"W x 28.25"H	47.25"W x 28.00"H x 22.75"D	17.51 CU. FT.
TOTAL VOLUME				233.51 CU. FT.



- DUO SAFETY CUSTOM LADDERS COMPLIMENT
- 10' FOLDING (AERIAL)
- 14' ROOF (LADDER CHUTE)
- 24' 2-SECTION (LADDER CHUTE)
- 35' 3-SECTION (LADDER CHUTE)



DIMENSIONS SHOWN ON THIS DRAWING ARE APPROXIMATE AND ARE SUBJECT TO MINOR DEVIATIONS DURING CONSTRUCTION.

IN THE EVENT OF A DISCREPANCY BETWEEN THE SUTPHEN SPECIFICATIONS AND DRAWING, THE SUTPHEN SPECIFICATIONS SHALL PREVAIL.

DRAWING IS FOR REFERENCE ONLY. SOME ITEMS PROPOSED MAY NOT BE SHOWN OR NOTED.

CUSTOMER APPROVAL		REV.	DESCRIPTION	BY	DATE
NAME:					
TITLE:					
DATE:					

DRAWN BY: S.J.G.  
DATE: 03/08/2023  
MFG. FACILITY: HILLIARD

**SUTPHEN**

HOWELL AREA FIRE DEPT.  
HOWELL, MI  
SL75  
HS-XXXX

THIS PRINT IS PROVIDED ON A RESTRICTED BASIS AND IS NOT TO BE USED IN ANY WAY DETRIMENTAL TO THE INTEREST OF SUTPHEN CORPORATION.