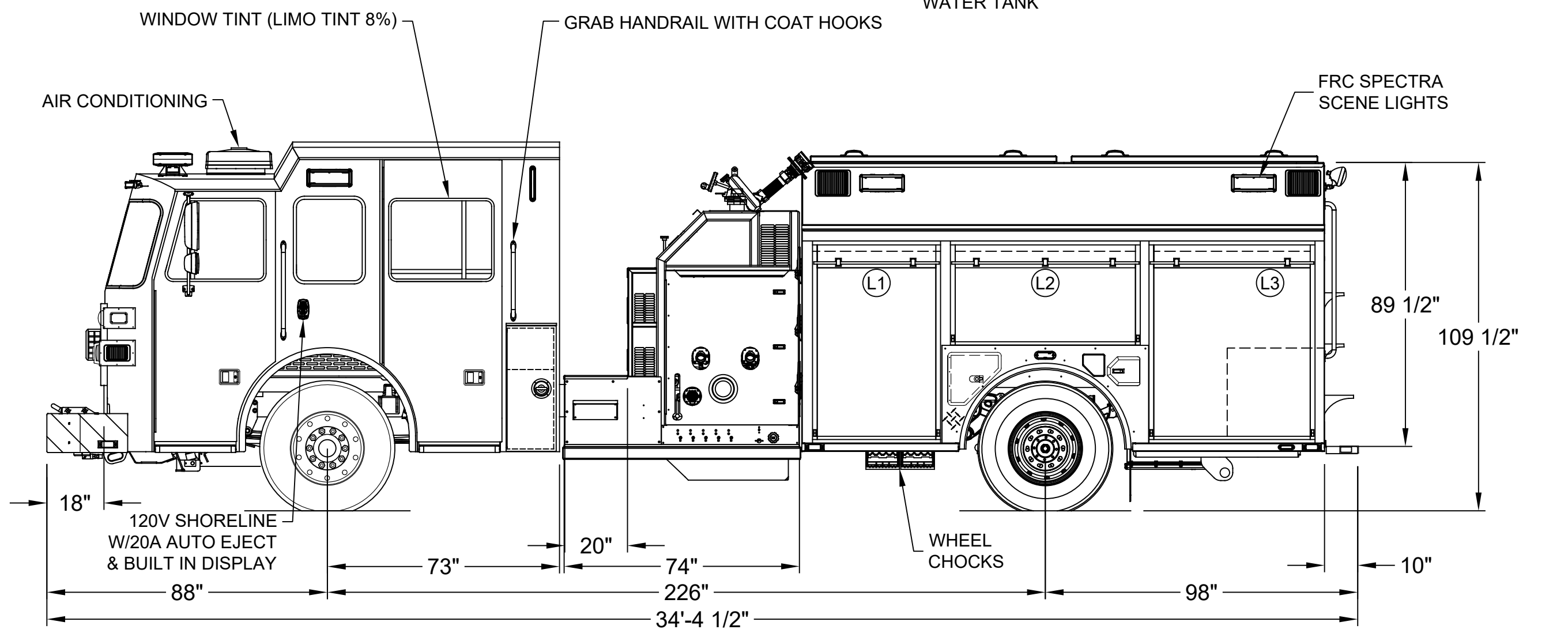
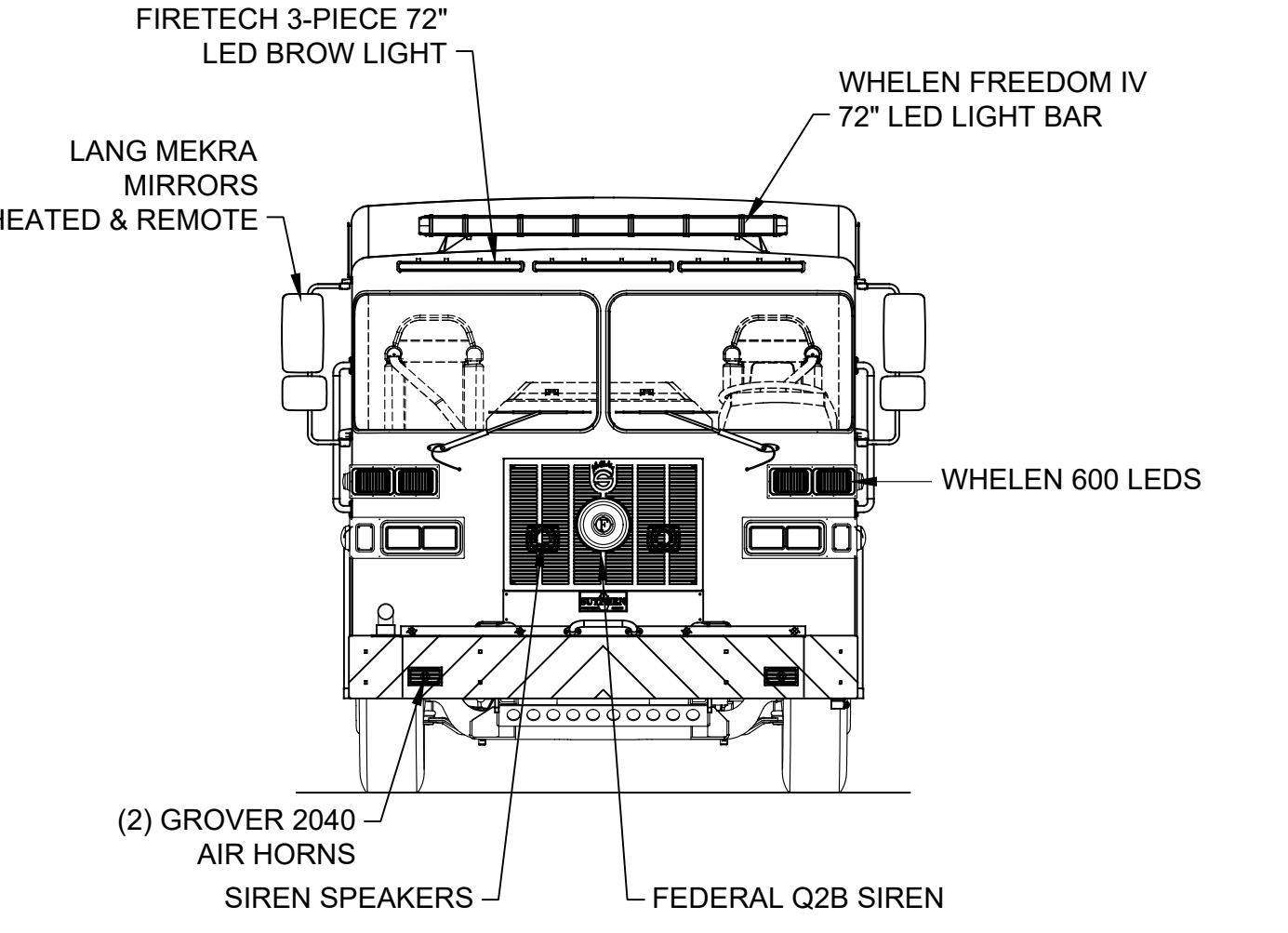
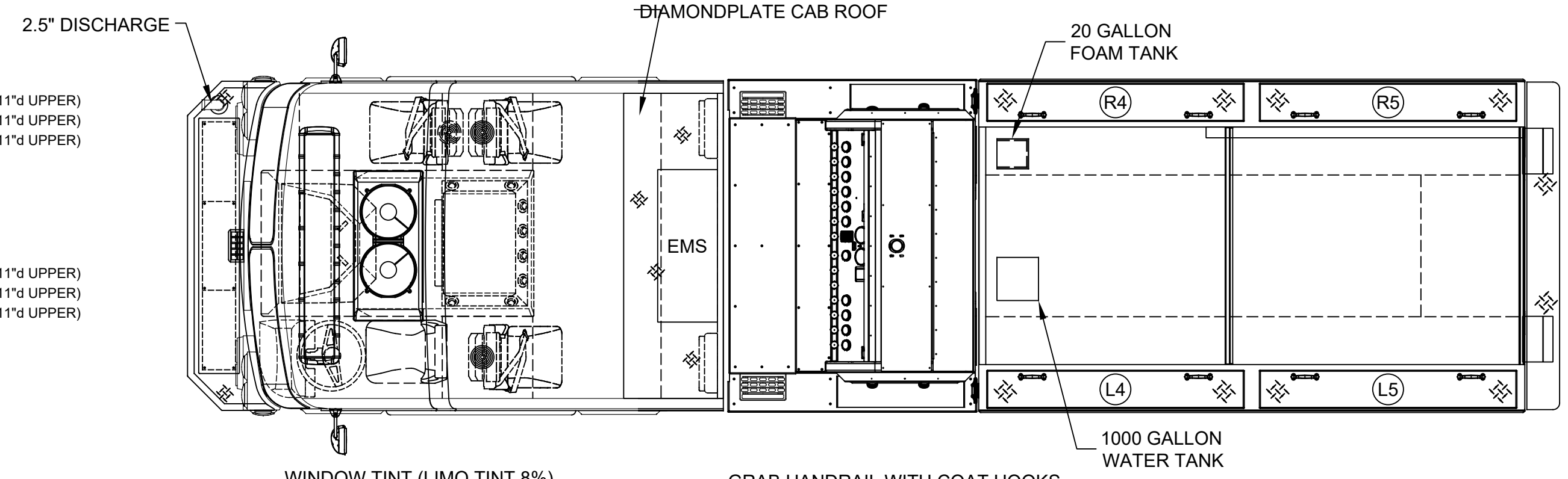


LEFT SIDE COMPARTMENTS				
COMPT	DOORS	OPENING DIMENSIONS	INSIDE DIMENSIONS	VOLUME
L1	ROLL-UP	37.5" w X 56.5" h	40" w X 66" h X 26" d	37.4 CU. FT.
L2	ROLL-UP	56.25" w X 27" h	59" w X 31.5" h X 26" d	28.4 CU. FT.
L3	ROLL-UP	48.75" w X 56.5" h	51.5" w X 66" h X 26" d	47.4 CU. FT.
L4/L5	LIFT-UP	75" W X 9.5" H	82" W X 19" H X 13.5" D	24.0 CU. FT.

RIGHT SIDE COMPARTMENTS				
COMPT	DOORS	OPENING DIMENSIONS	INSIDE DIMENSIONS	VOLUME
R1	ROLL-UP	37.5" w X 56.5" h	40" w X 66" h X 26" d	37.4 CU. FT.
R2	ROLL-UP	56.25" w X 27" h	59" w X 31.5" h X 26" d	28.4 CU. FT.
R3	ROLL-UP	48.75" w X 56.5" h	51.5" w X 66" h X 26" d	47.4 CU. FT.
R4/R5	LIFT-UP	75" W X 9.5" H	82" W X 19" H X 13.5" D	24.0 CU. FT.

REAR STEP COMPARTMENT				
COMPT	DOORS	OPENING DIMENSIONS	INSIDE DIMENSIONS	VOLUME
A1	ROLL-UP	36.75" w X 19" h	39.5" w X 28" h X 31" d	19.8 CU. FT.
TOTAL:				246.2 CU. FT.
TOTAL WITH HATCH:				294.2 CU. FT.



DIMENSIONS SHOWN ON THIS DRAWING ARE APPROXIMATE AND ARE SUBJECT TO MINOR DEVIATIONS DURING CONSTRUCTION.

IN THE EVENT OF A DISCREPANCY BETWEEN THE SUTPHEN SPECIFICATIONS AND DRAWING, THE SUTPHEN SPECIFICATIONS SHALL PREVAIL.

DRAWING IS FOR REFERENCE ONLY. SOME ITEMS PROPOSED MAY NOT BE SHOWN OR NOTED.

CUSTOMER APPROVAL

NAME: \_\_\_\_\_

TITLE: \_\_\_\_\_

DATE: \_\_\_\_\_

REV.	DESCRIPTION	BY	DATE
A	UPDATED DRAWING PER SUBMITTED ORDER	JDH	02/09/23

THIS PRINT IS PROVIDED ON A RESTRICTED BASIS AND IS NOT TO BE USED IN ANY WAY DETRIMENTAL TO THE INTEREST OF SUTPHEN CORPORATION.

DRAWN BY:  
D.NAYLOR

DATE:  
06/27/2022

MFG. FACILITY:  
URBANA

**SUTPHEN**

ERIE TOWNSHIP FIRE DEPARTMENT  
ERIE, MI

CUSTOM PUMPER - G9

DWG. NO.: ERIE TWP, MI (2022 G9).dwg