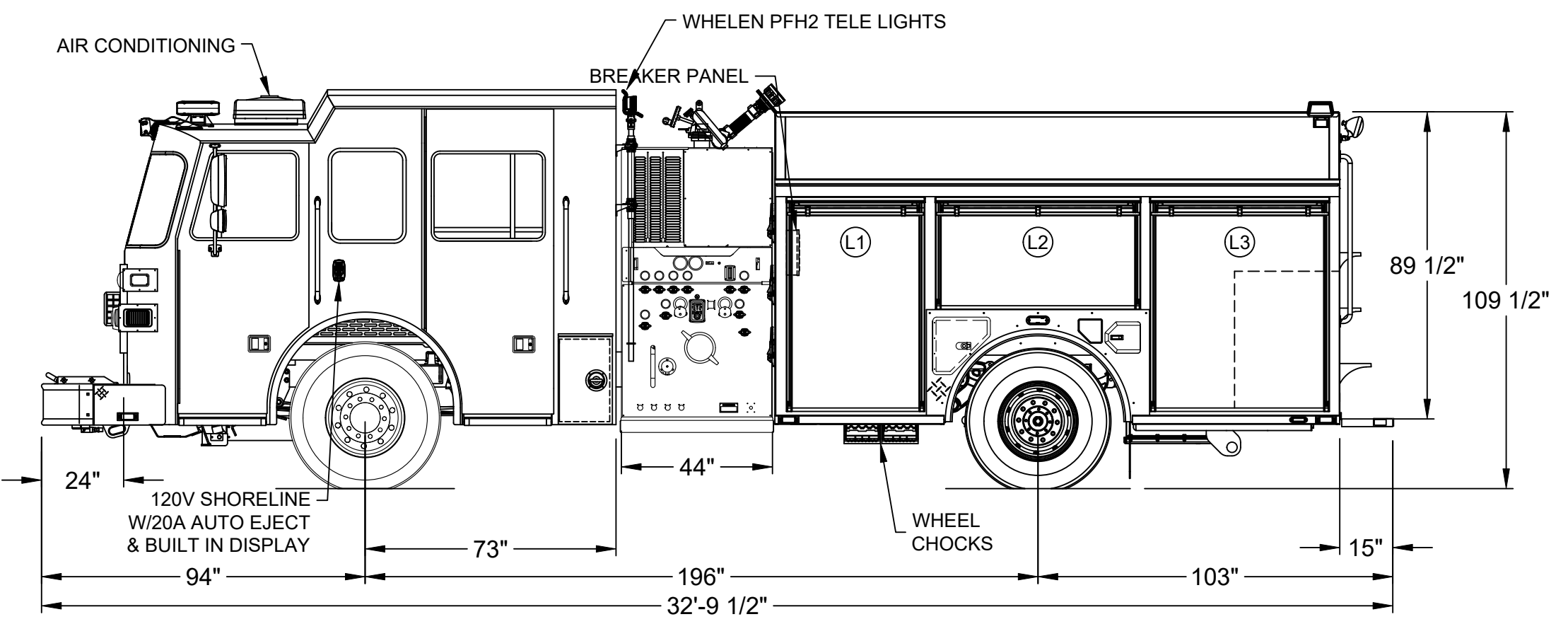
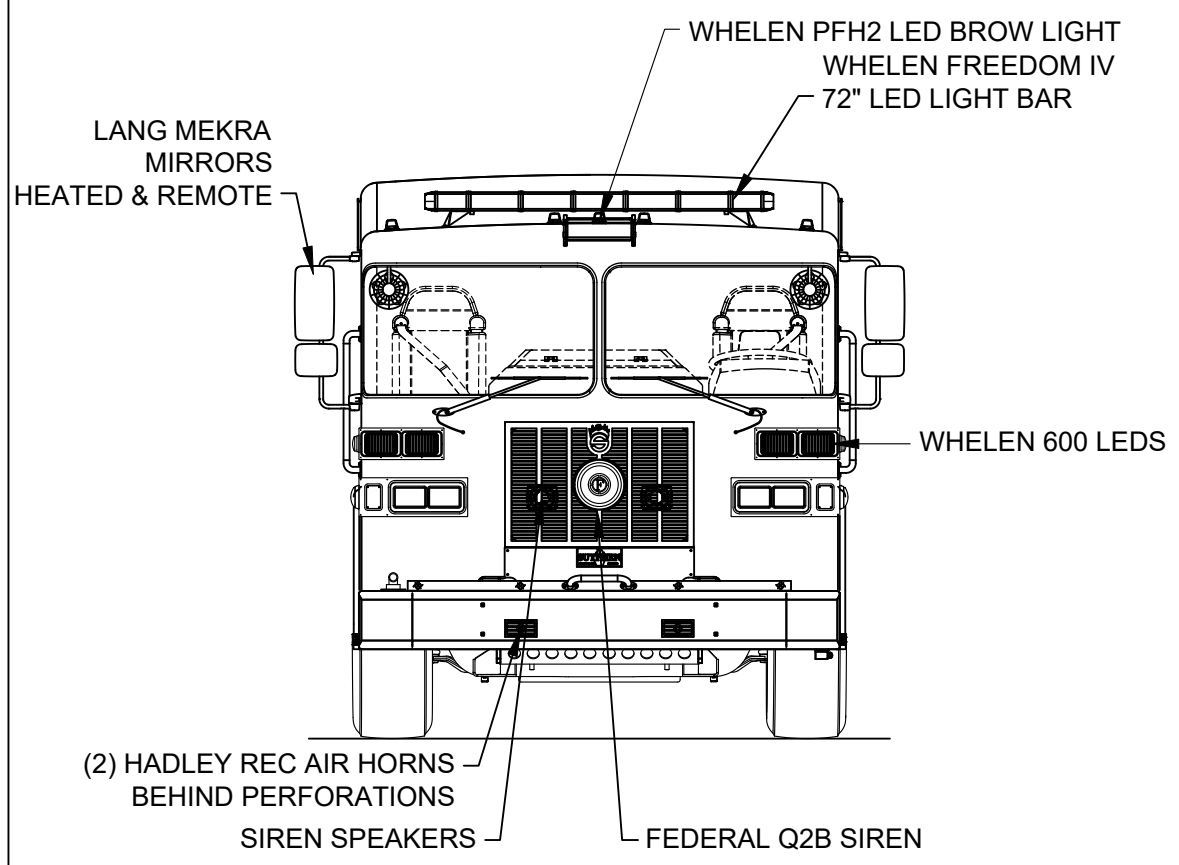
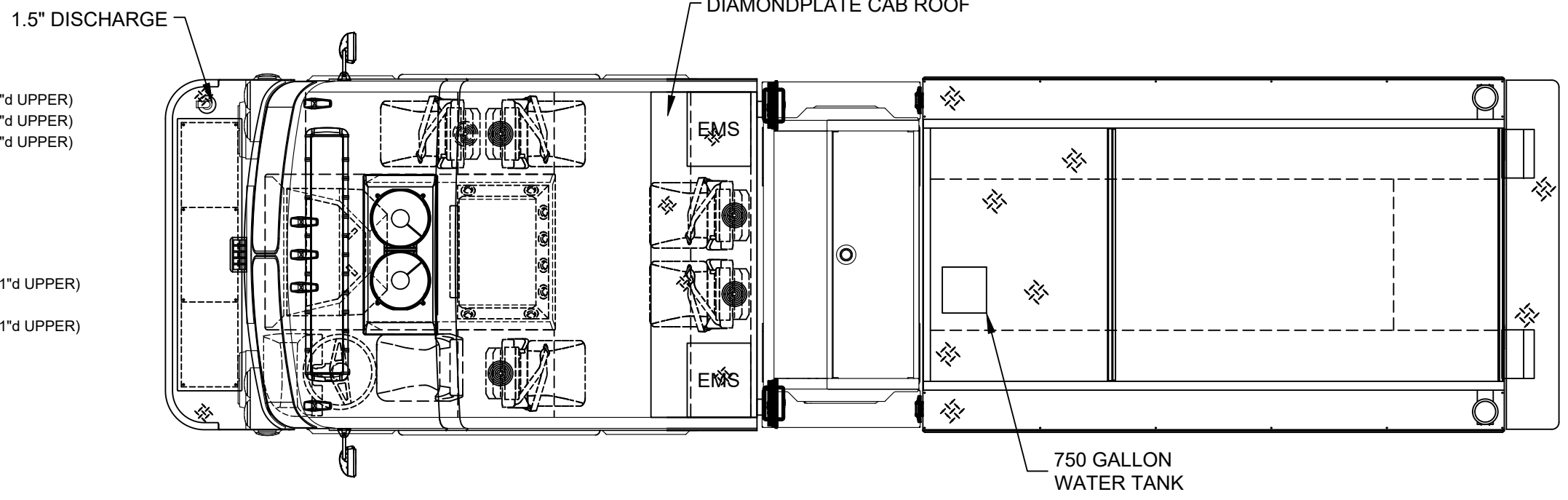


LEFT SIDE COMPARTMENTS				
COMPT	DOORS	OPENING DIMENSIONS	INSIDE DIMENSIONS	VOLUME
L1	ROLL-UP	37.5" w X 56.5" h	40" w X 66" h X 26" d	37.4 CU. FT. (8" h X 11" d UPPER)
L2	ROLL-UP	56.25" w X 27" h	59" w X 31.5" h X 26" d	28.4 CU. FT. (8" h X 11" d UPPER)
L3	ROLL-UP	48.75" w X 56.5" h	51.5" w X 66" h X 26" d	47.4 CU. FT. (8" h X 11" d UPPER)

RIGHT SIDE COMPARTMENTS				
COMPT	DOORS	OPENING DIMENSIONS	INSIDE DIMENSIONS	VOLUME
R1	ROLL-UP	37.5" w X 56.5" h	40" w X 66" h X 26" d	28.5 CU. FT. (33" h X 11" d UPPER)
R2	ROLL-UP	56.25" w X 27" h	59" w X 31.5" h X 11" d	13.7 CU. FT. (8" h X 11" d UPPER)
R3	ROLL-UP	48.75" w X 56.5" h	51.5" w X 66" h X 26" d	36.0 CU. FT. (33" h X 11" d UPPER)

REAR STEP COMPARTMENT				
COMPT	DOORS	OPENING DIMENSIONS	INSIDE DIMENSIONS	VOLUME
A1	ROLL-UP	36.75" w X 34.25" h	44" h X 39.5" w X 31" d	31.2 CU. FT.
TOTAL:				222.6 CU.FT.



DIMENSIONS SHOWN ON THIS DRAWING ARE APPROXIMATE AND ARE SUBJECT TO MINOR DEVIATIONS DURING CONSTRUCTION.

IN THE EVENT OF A DISCREPANCY BETWEEN THE SUTPHEN SPECIFICATIONS AND DRAWING, THE SUTPHEN SPECIFICATIONS SHALL PREVAIL.

DRAWING IS FOR REFERENCE ONLY. SOME ITEMS PROPOSED MAY NOT BE SHOWN OR NOTED.

CUSTOMER APPROVAL

NAME: _____

TITLE: _____

DATE: _____

REV.	DESCRIPTION	BY	DATE
-	-	-	-

THIS PRINT IS PROVIDED ON A RESTRICTED BASIS AND IS NOT TO BE USED IN ANY WAY DETRIMENTAL TO THE INTEREST OF SUTPHEN CORPORATION.

DATE: 11/04/2022

DRAWN BY: D.NAYLOR

MFG. FACILITY: URBANA

SUTPHEN

CITY OF FLUSHING FIRE DEPARTMENT
 FLUSHING, MI

CUSTOM PUMPER - G2
 FLUSHING, MI (2022 G2).dwg