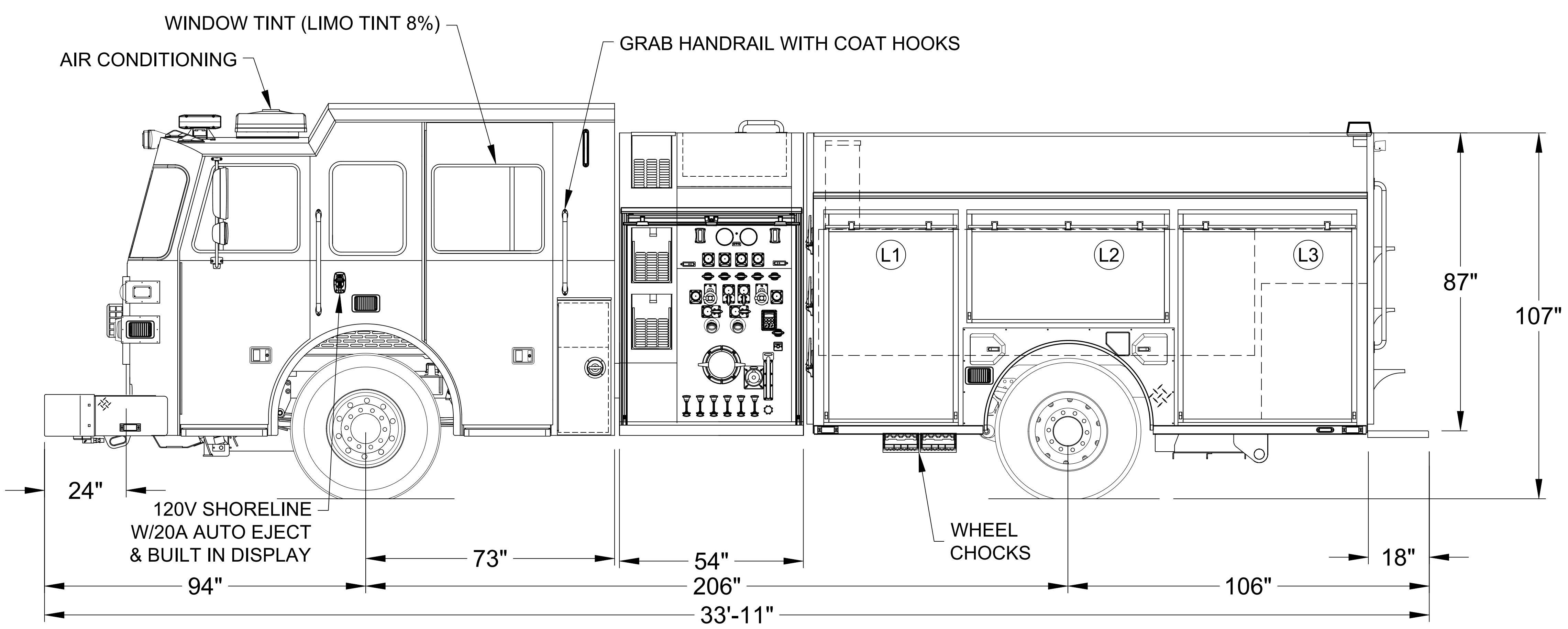
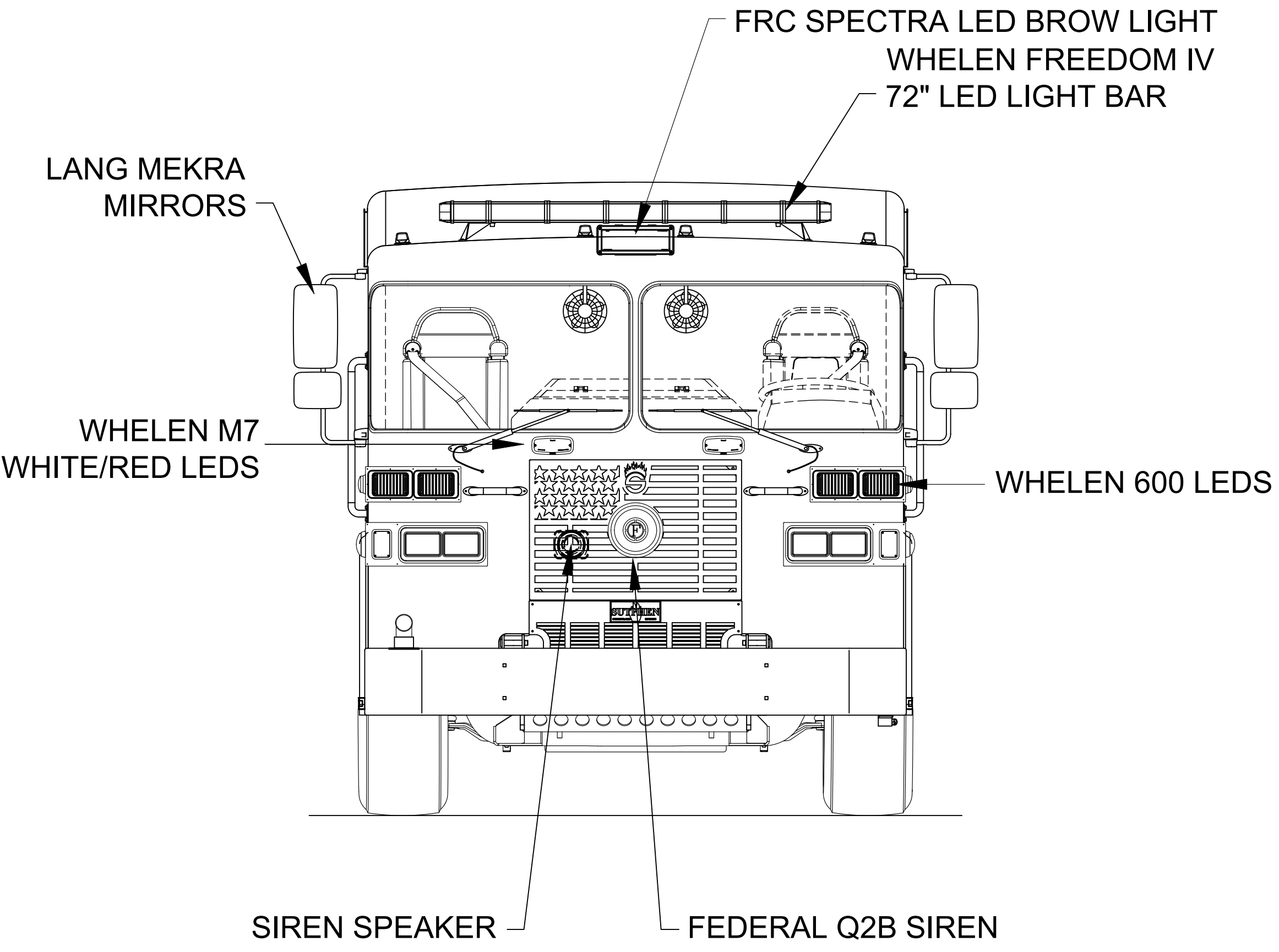
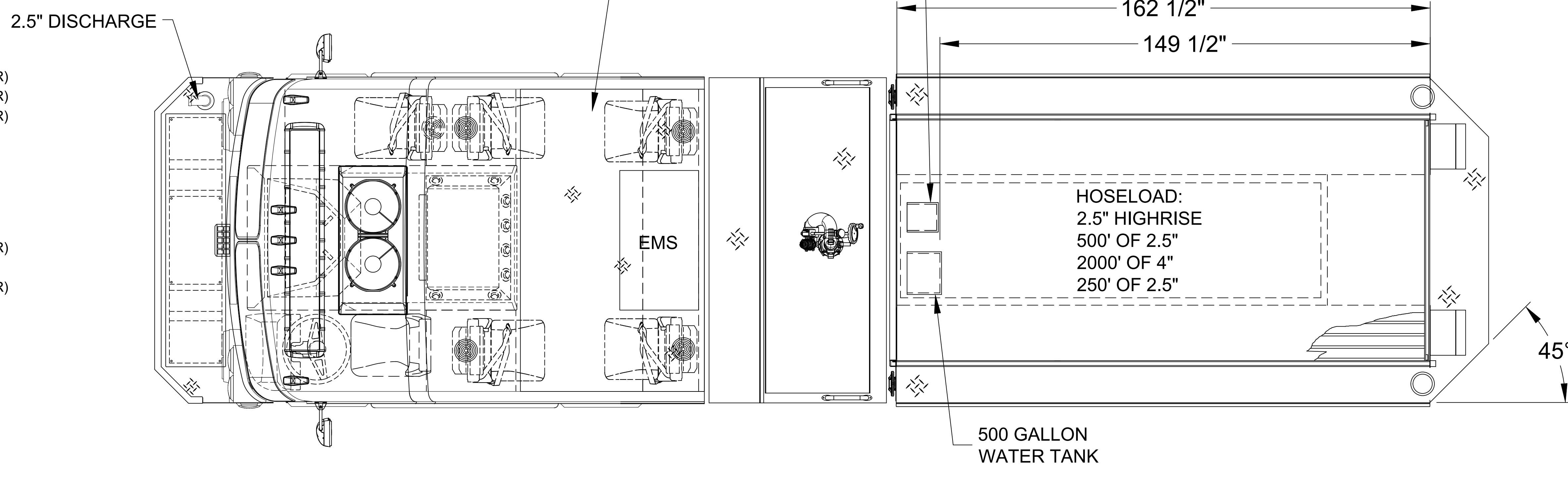


LEFT SIDE COMPARTMENTS				
COMPT	DOORS	OPENING DIMENSIONS	INSIDE DIMENSIONS	VOLUME
L1	ROLL-UP	37.5" w X 57.4" h	43.1" w X 66" h X 27.3" d	40.8 CU. FT. (10" h X 10.5" d UPPER)
L2	ROLL-UP	57.5" w X 28.2" h	61.6" w X 36.8" h X 27.3" d	29.8 CU. FT. (10" h X 10.5" d UPPER)
L3	ROLL-UP	50.5" w X 57.4" h	53.4" w X 66" h X 27.3" d	50.5 CU. FT. (10" h X 10.5" d UPPER)

RIGHT SIDE COMPARTMENTS				
COMPT	DOORS	OPENING DIMENSIONS	INSIDE DIMENSIONS	VOLUME
R1	ROLL-UP	37.5" w X 57.4" h	43.1" w X 66" h X 27.3" d	31.1 CU. FT. (33" h X 10.5" d UPPER)
R2	ROLL-UP	57.5" w X 28.2" h	61.6" w X 36.8" h X 10.5" d	13.8 CU. FT.
R3	ROLL-UP	50.5" w X 57.4" h	53.4" w X 66" h X 27.3" d	38.6 CU. FT. (33" h X 10.5" d UPPER)

REAR STEP COMPARTMENT				
COMPT	DOORS	OPENING DIMENSIONS	INSIDE DIMENSIONS	VOLUME
A1	ROLL-UP	37.5" w X 32.8" h	40" w X 40" h X 31" d	28.7 CU. FT.
<b>TOTAL:</b>				<b>233.3 CU.FT.</b>



DIMENSIONS SHOWN ON THIS DRAWING ARE APPROXIMATE AND ARE SUBJECT TO MINOR DEVIATIONS DURING CONSTRUCTION.

IN THE EVENT OF A DISCREPANCY BETWEEN THE SUTPHEN SPECIFICATIONS AND DRAWING, THE SUTPHEN SPECIFICATIONS SHALL PREVAIL.

DRAWING IS FOR REFERENCE ONLY. SOME ITEMS PROPOSED MAY NOT BE SHOWN OR NOTED.

**CUSTOMER APPROVAL**

NAME: \_\_\_\_\_

TITLE: \_\_\_\_\_

DATE: \_\_\_\_\_

REV.	DESCRIPTION	BY	DATE
-	-	-	-
B	UPDATED PER DEALER NOTES AS OF 10/29/2021.	DPN	10/29/2021
A	UPDATED PER DEALER NOTES AND LATEST COMPONENT REPORT AS OF 10/25/2021.	DPN	10/25/2021

THIS PRINT IS PROVIDED ON A RESTRICTED BASIS AND IS NOT TO BE USED IN ANY WAY DETRIMENTAL TO THE INTEREST OF SUTPHEN CORPORATION.

DATE: 10/25/2021  
 DRAWN BY: J.HOWELL  
 REVIEWER: D.NAYLOR  
 APPROVER: -  
 MFG. FACILITY: DUBLIN

**SUTPHEN**

WARREN FIRE DEPARTMENT  
 WARREN, MI

CUSTOM PUMPER - PA-12  
 WARREN, MI (2021 PA-12).DWG