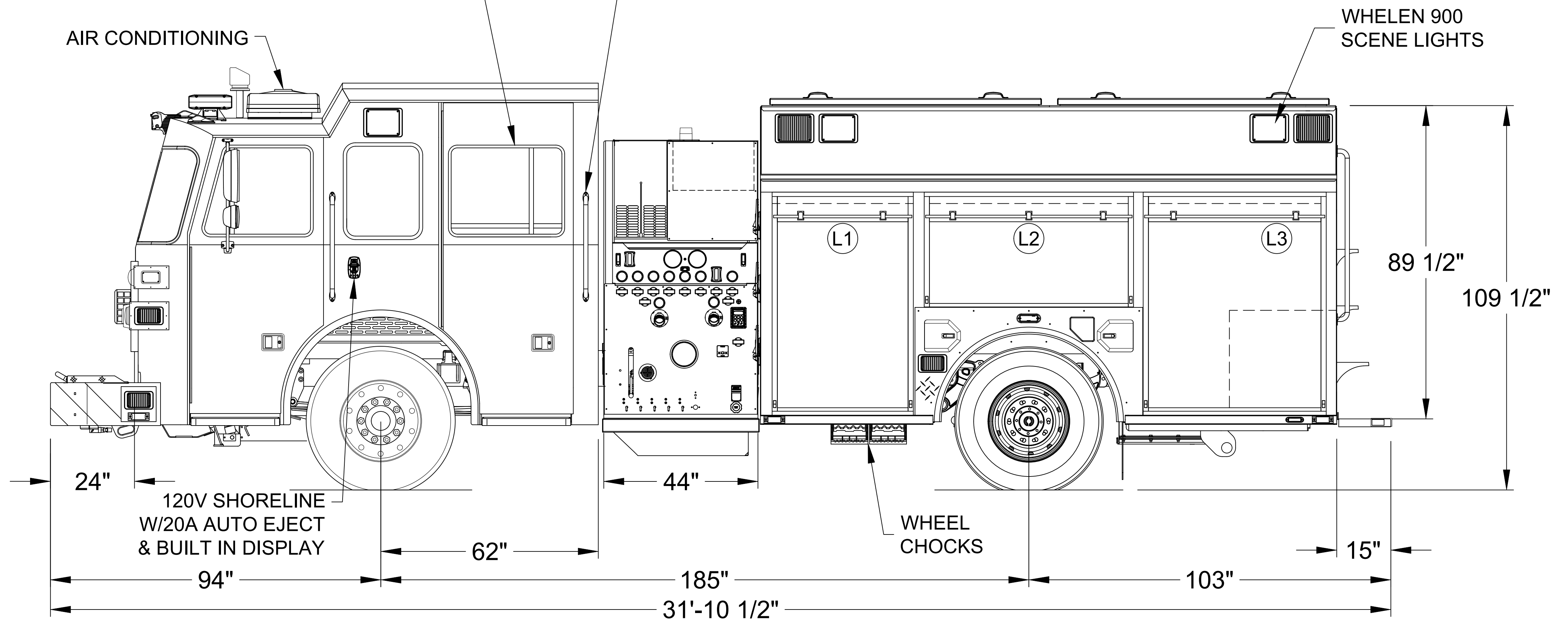
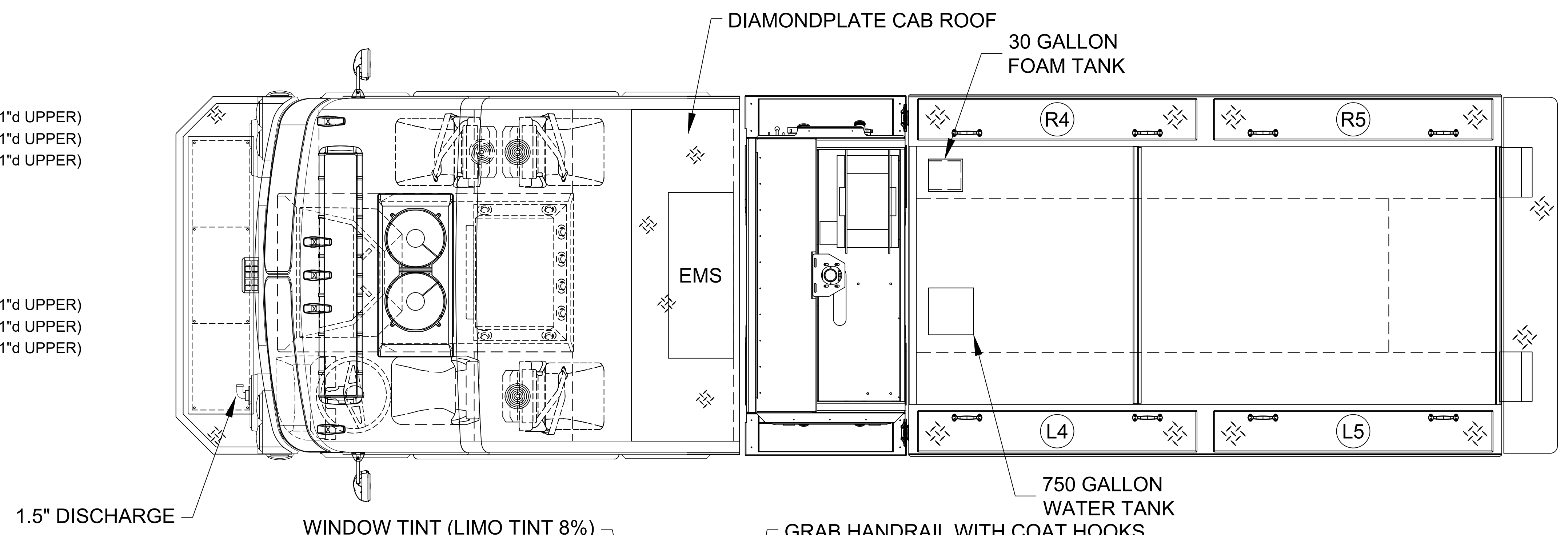
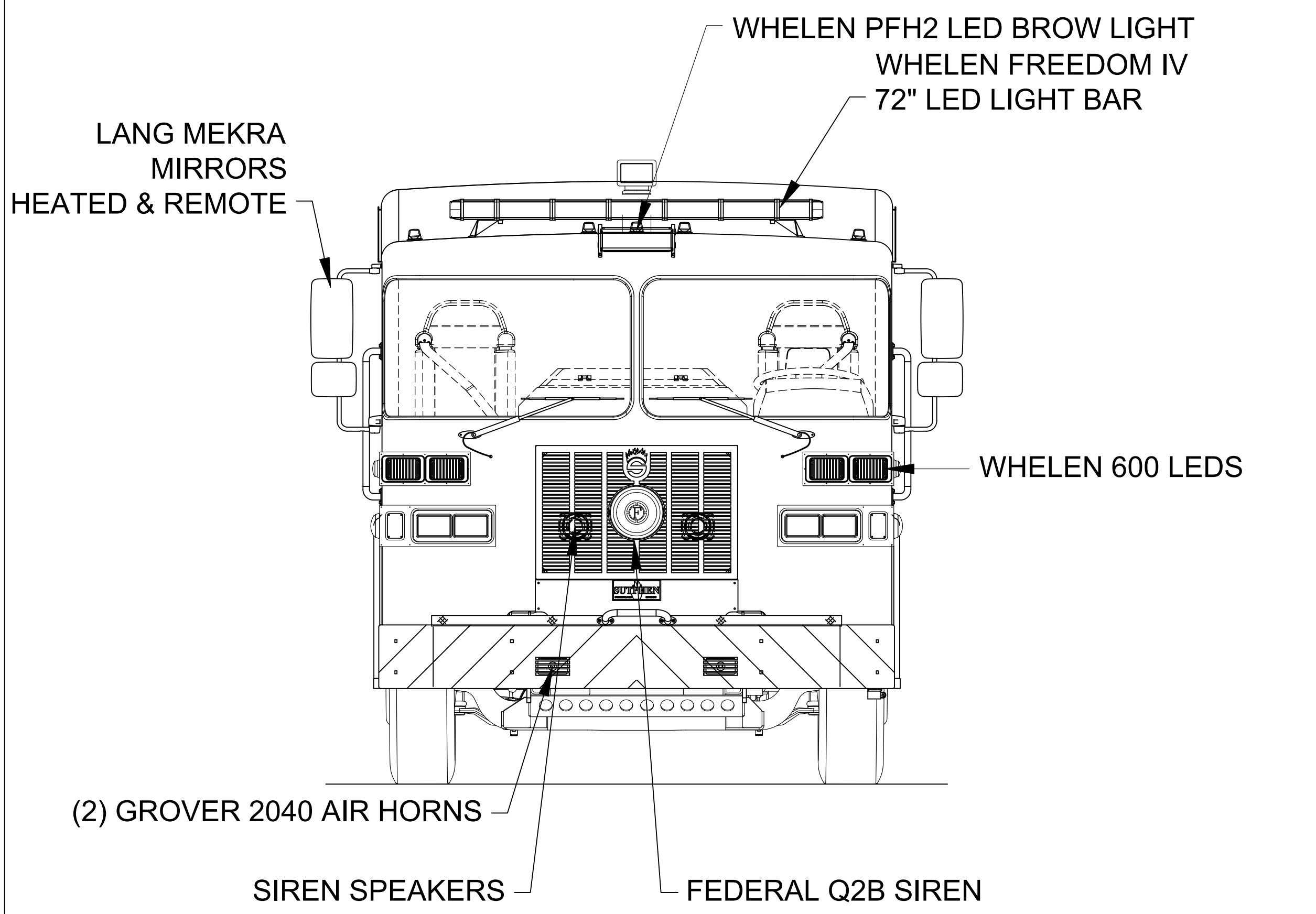


LEFT SIDE COMPARTMENTS				
COMPT	DOORS	OPENING DIMENSIONS	INSIDE DIMENSIONS	VOLUME
L1	ROLL-UP	37.5" W X 56.5" H	40" W X 66" H X 26" D	37.4 CU. FT. (8" H X 11" D UPPER)
L2	ROLL-UP	56.25" W X 27" H	59" W X 31.5" H X 26" D	28.4 CU. FT. (8" H X 11" D UPPER)
L3	ROLL-UP	48.75" W X 56.5" H	51.5" W X 66" H X 26" D	47.4 CU. FT. (8" H X 11" D UPPER)
L4/L5	LIFT-UP	75" W X 9.5" H	82" W X 19" H X 13.5" D	24.0 CU. FT.

RIGHT SIDE COMPARTMENTS				
COMPT	DOORS	OPENING DIMENSIONS	INSIDE DIMENSIONS	VOLUME
R1	ROLL-UP	37.5" W X 56.5" H	40" W X 66" H X 26" D	37.4 CU. FT. (8" H X 11" D UPPER)
R2	ROLL-UP	56.25" W X 27" H	59" W X 31.5" H X 26" D	28.4 CU. FT. (8" H X 11" D UPPER)
R3	ROLL-UP	48.75" W X 56.5" H	51.5" W X 66" H X 26" D	47.4 CU. FT. (8" H X 11" D UPPER)
R4/R5	LIFT-UP	75" W X 9.5" H	82" W X 19" H X 13.5" D	24.0 CU. FT.

REAR STEP COMPARTMENT				
COMPT	DOORS	OPENING DIMENSIONS	INSIDE DIMENSIONS	VOLUME
A1	ROLL-UP	36.75" W X 19" H	39.5" W X 28" H X 31" D	19.8 CU. FT.
				TOTAL: 246.2 CU. FT.
				TOTAL WITH HATCH: 294.2 CU. FT.



DIMENSIONS SHOWN ON THIS DRAWING ARE APPROXIMATE AND ARE SUBJECT TO MINOR DEVIATIONS DURING CONSTRUCTION.  IN THE EVENT OF A DISCREPANCY BETWEEN THE SUTPHEN SPECIFICATIONS AND DRAWING, THE SUTPHEN SPECIFICATIONS SHALL PREVAIL.  DRAWING IS FOR REFERENCE ONLY. SOME ITEMS PROPOSED MAY NOT BE SHOWN OR NOTED.	CUSTOMER APPROVAL			DRAWN BY: D. NAYLOR	 REDFORD FIRE DEPARTMENT REDFORD, MI  CUSTOM PUMPER - G9 REDFORD, MI (2022 G9).dwg
	NAME: _____	TITLE: _____	DATE: _____	DATE: 05/26/2022	
	REV. _____	DESCRIPTION _____	BY _____	DATE _____	

THIS PRINT IS PROVIDED ON A RESTRICTED BASIS AND IS NOT TO BE USED IN ANY WAY DETRIMENTAL TO THE INTEREST OF SUTPHEN CORPORATION.