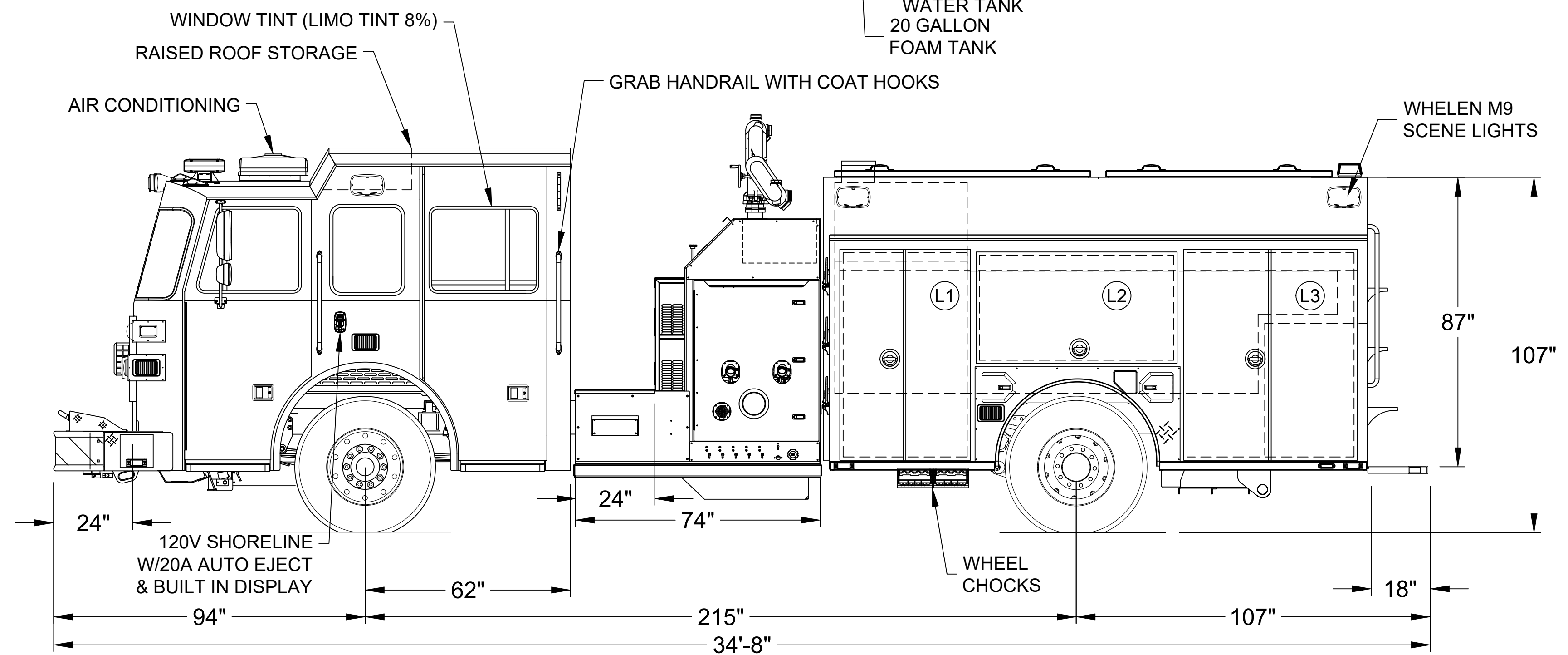
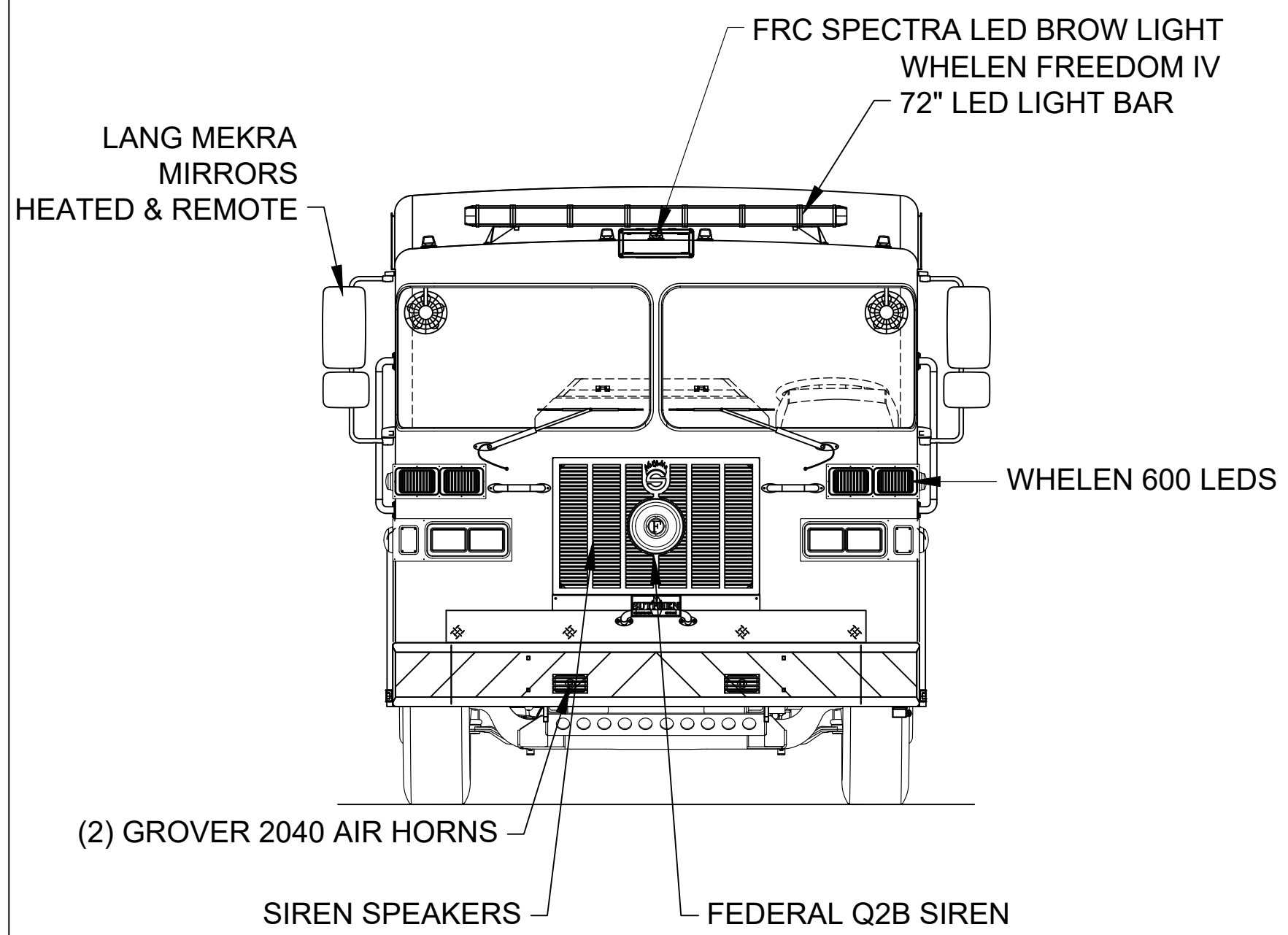
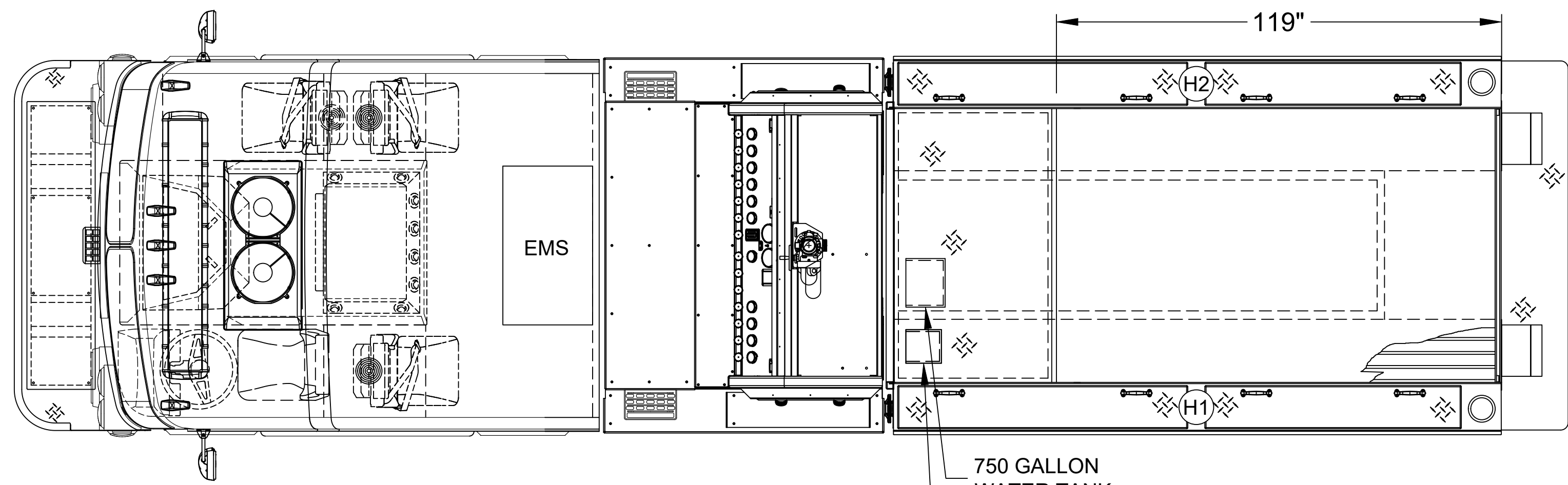


LEFT SIDE COMPARTMENTS				
COMPT	DOORS	OPENING DIMENSIONS	INSIDE DIMENSIONS	VOLUME
L1	DOUBLE	35.5" w X 58.4" h	43.1" w X 66" h X 27.3" d	40.8 CU. FT. (10" h X 10.5" d UPPER)
L2	LIFT-UP	55.0" w X 31.9" h	61.6" w X 36.8" h X 27.3" d	29.8 CU. FT. (10" h X 10.5" d UPPER)
L3	DOUBLE	48.5" w X 58.4" h	53.4" w X 66" h X 27.3" d	49.6 CU. FT. (10" h X 10.5" d UPPER)
H1	LIFT-UP	(2) 9.25" w X 73.25" l	161.8" w X 17.3" h X 12.9" d	20.9 CU. FT.

RIGHT SIDE COMPARTMENTS				
COMPT	DOORS	OPENING DIMENSIONS	INSIDE DIMENSIONS	VOLUME
R1	DOUBLE	35.5" w X 58.4" h	43.1" w X 66" h X 27.3" d	31.1 CU. FT. (33" h X 10.5" d UPPER)
R2	LIFT-UP	55.0" w X 31.9" h	61.6" w X 36.8" h X 10.5" d	13.8 CU. FT.
R3	DOUBLE	48.5" w X 58.4" h	53.4" w X 66" h X 27.3" d	37.8 CU. FT. (33" h X 10.5" d UPPER)
H2	LIFT-UP	(2) 9.25" w X 73.25" l	161.8" w X 17.3" h X 12.9" d	20.9 CU. FT.

REAR STEP COMPARTMENT				
COMPT	DOORS	OPENING DIMENSIONS	INSIDE DIMENSIONS	VOLUME
A1	ROLL-UP	37.5" w X 32.8" h	40" w X 40" h X 31" d	28.7 CU. FT.
				<b>TOTAL: 273.4 CU.FT.</b>



DIMENSIONS SHOWN ON THIS DRAWING ARE APPROXIMATE AND ARE SUBJECT TO MINOR DEVIATIONS DURING CONSTRUCTION.  
 IN THE EVENT OF A DISCREPANCY BETWEEN THE SUTPHEN SPECIFICATIONS AND DRAWING, THE SUTPHEN SPECIFICATIONS SHALL PREVAIL.  
 DRAWING IS FOR REFERENCE ONLY. SOME ITEMS PROPOSED MAY NOT BE SHOWN OR NOTED.

**CUSTOMER APPROVAL**

NAME: \_\_\_\_\_

TITLE: \_\_\_\_\_

DATE: \_\_\_\_\_

REV.	DESCRIPTION	BY	DATE
-	-	-	-
C	UPDATED PER LATEST COMPONENT REPORT AND DEALER NOTES AS OF 06/07/2021	DPN	06/07/2021
B	UPDATED PER LATEST COMPONENT REPORT AND DEALER NOTES AS OF 05/20/2021	DPN	05/20/2021
A	UPDATED PER LATEST COMPONENT REPORT AND DEALER NOTES AS OF 04/14/2021	DPN	04/14/2021

DATE: 02/02/2021  
 DRAWN BY: D.NAYLOR  
 REVIEWER: J.HOWELL  
 APPROVER: K.EXEL  
 MFG FACILITY: DUBLIN

**SUTPHEN**  
 PORT HURON FIRE DEPARTMENT  
 PORT HURON, MI

CUSTOM PUMPER - S2  
 DWG. NO.: PORT HURON, MI (2021 S2).dwg