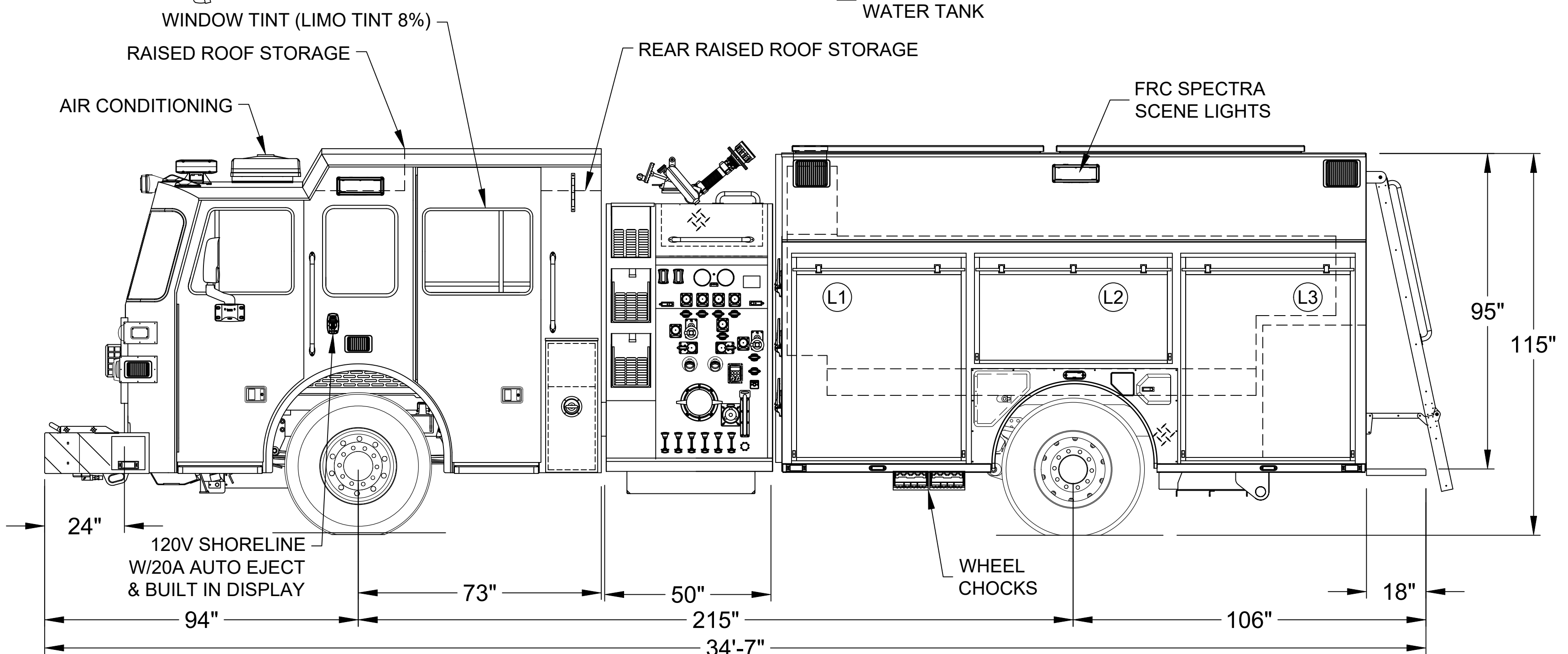
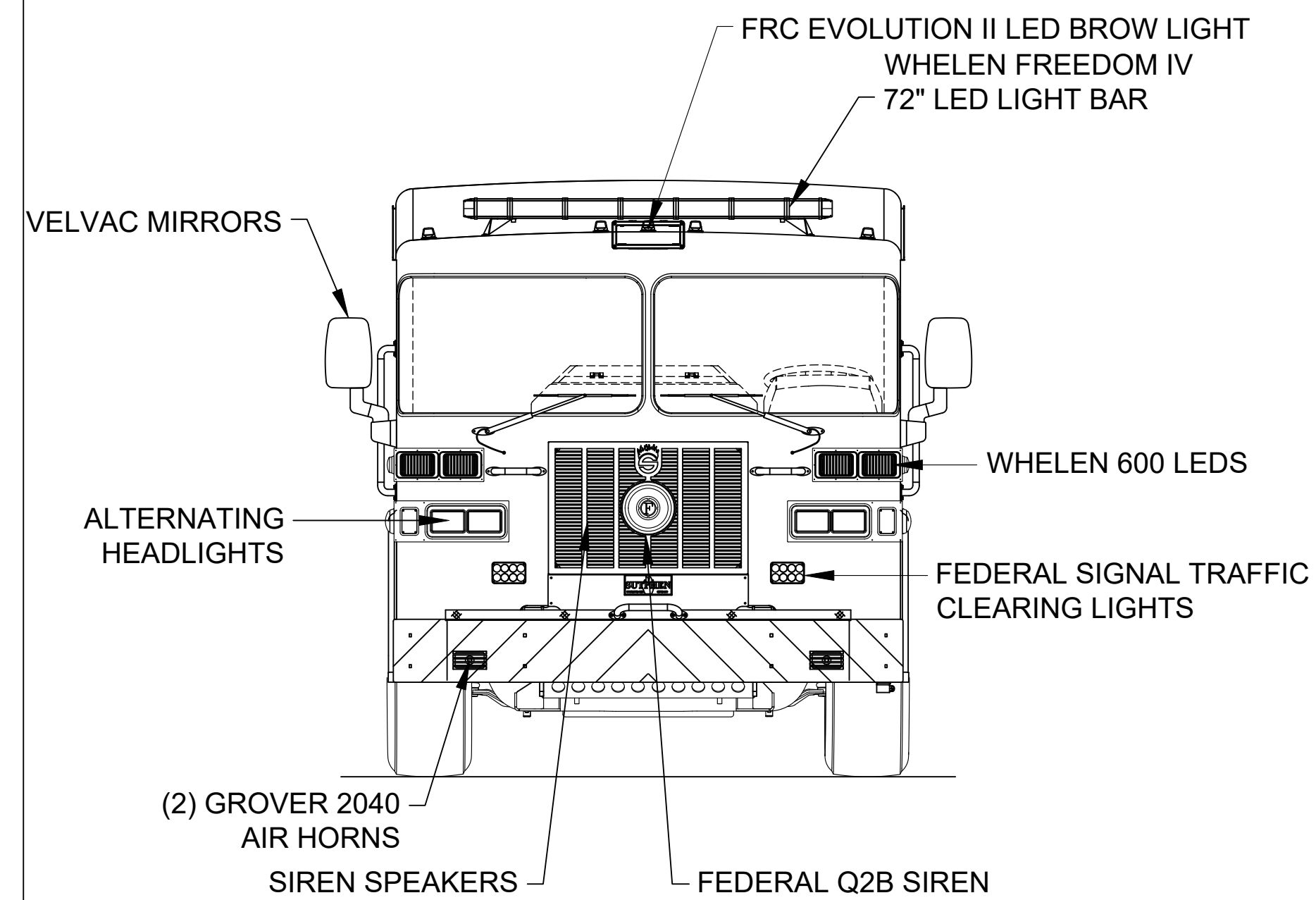
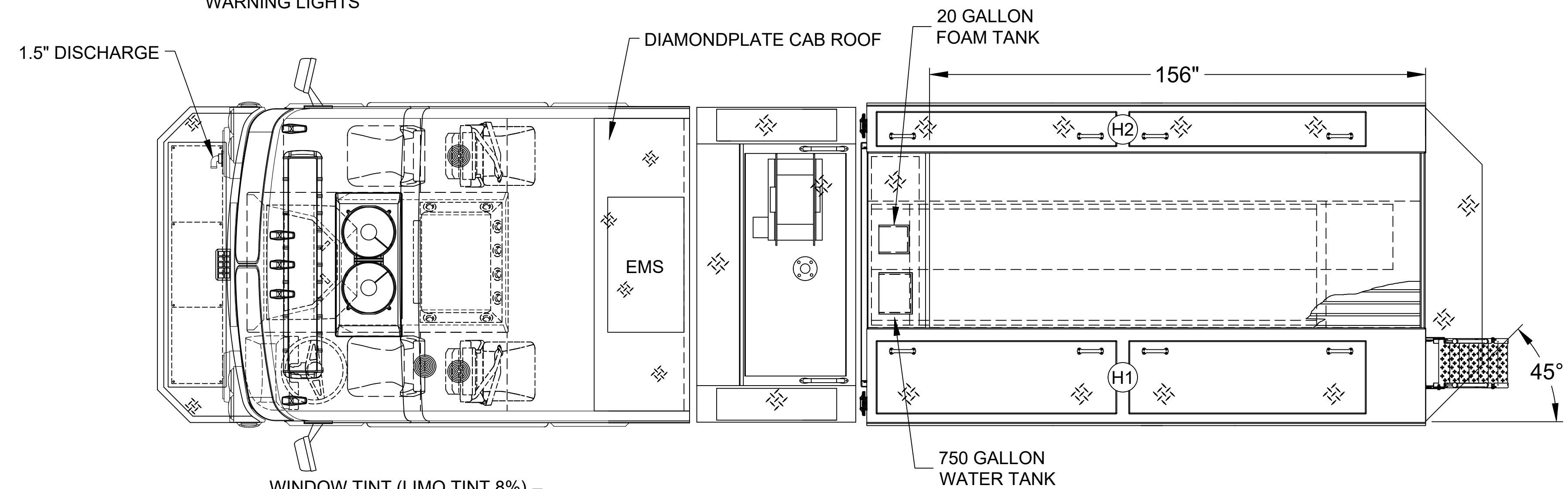


LEFT SIDE COMPARTMENTS				
COMPT	DOORS	OPENING DIMENSIONS	INSIDE DIMENSIONS	VOLUME
L1	ROLL-UP	50.5\"w X 57.4\"h	56.1\"w X 66\"h X 27.3\"d	53.1 CU. FT.
L2	ROLL-UP	57.5\"w X 28.2\"h	61.6\"w X 36.8\"h X 27.3\"d	29.8 CU. FT.
L3	ROLL-UP	50.5\"w X 57.4\"h	53.4\"w X 66\"h X 27.3\"d	50.5 CU. FT.
H1	LIFT-UP	(2) 23.25\"w X 73.25\"h	174.7\"w X 24.8\"h X 29.2\"d	73.2 CU. FT.

RIGHT SIDE COMPARTMENTS				
COMPT	DOORS	OPENING DIMENSIONS	INSIDE DIMENSIONS	VOLUME
R1	ROLL-UP	50.5\"w X 57.4\"h	56.1\"w X 66\"h X 27.3\"d	53.1 CU. FT.
R2	ROLL-UP	57.5\"w X 28.2\"h	61.6\"w X 36.8\"h X 27.3\"d	29.8 CU. FT.
R3	ROLL-UP	50.5\"w X 57.4\"h	53.4\"w X 66\"h X 27.3\"d	50.5 CU. FT.
H2	LIFT-UP	(2) 9.25\"w X 73.25\"h	174.7\"w X 24.8\"h X 14.2\"d	35.6 CU. FT.

REAR STEP COMPARTMENT				
COMPT	DOORS	OPENING DIMENSIONS	INSIDE DIMENSIONS	VOLUME
A1	ROLL-UP	37.5\"w X 32.8\"h	40\"w X 40\"h X 31\"d	28.7 CU. FT.
				<b>TOTAL: 404.3 CU.FT.</b>



DIMENSIONS SHOWN ON THIS DRAWING ARE APPROXIMATE AND ARE SUBJECT TO MINOR DEVIATIONS DURING CONSTRUCTION.

IN THE EVENT OF A DISCREPANCY BETWEEN THE SUTPHEN SPECIFICATIONS AND DRAWING, THE SUTPHEN SPECIFICATIONS SHALL PREVAIL.

DRAWING IS FOR REFERENCE ONLY. SOME ITEMS PROPOSED MAY NOT BE SHOWN OR NOTED.

**CUSTOMER APPROVAL**

NAME: \_\_\_\_\_

TITLE: \_\_\_\_\_

DATE: \_\_\_\_\_

REV.	DESCRIPTION	BY	DATE
-	-	-	-
C	UPDATED PER LATEST COMPONENT REPORT AS OF 03/16/2021	DPN	03/16/2021
B	UPDATED PER LATEST COMPONENT REPORT AS OF 03/09/2021	DPN	03/09/2021
A	UPDATED PER LATEST COMPONENT REPORT AS OF 01/22/2021	DPN	01/27/2021

DATE: 01/07/2021

DRAWN BY: D.NAYLOR

REVIEWER: -

APPROVER: -

MFG FACILITY: DUBLIN

**SUTPHEN**

CANTON TOWNSHIP FIRE DEPARTMENT  
CANTON, MI

CUSTOM PUMPER - S8

DWG. NO.: CANTON TWP (CANTON), MI (2021 S8).dwg