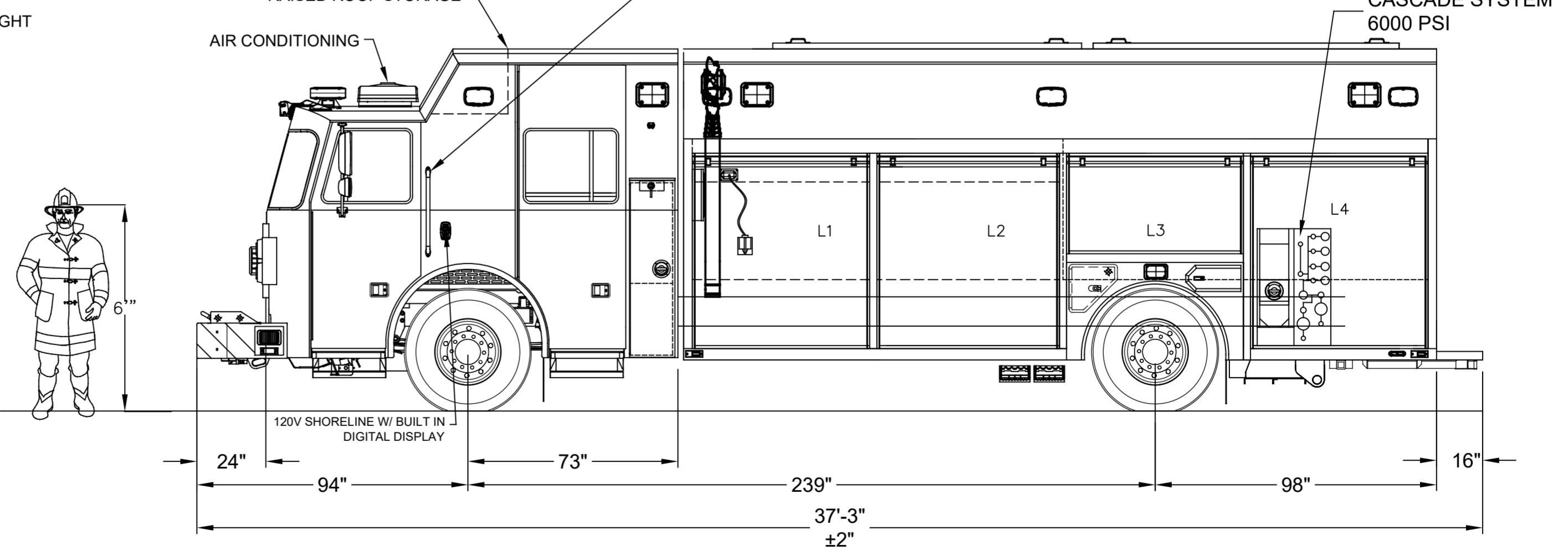
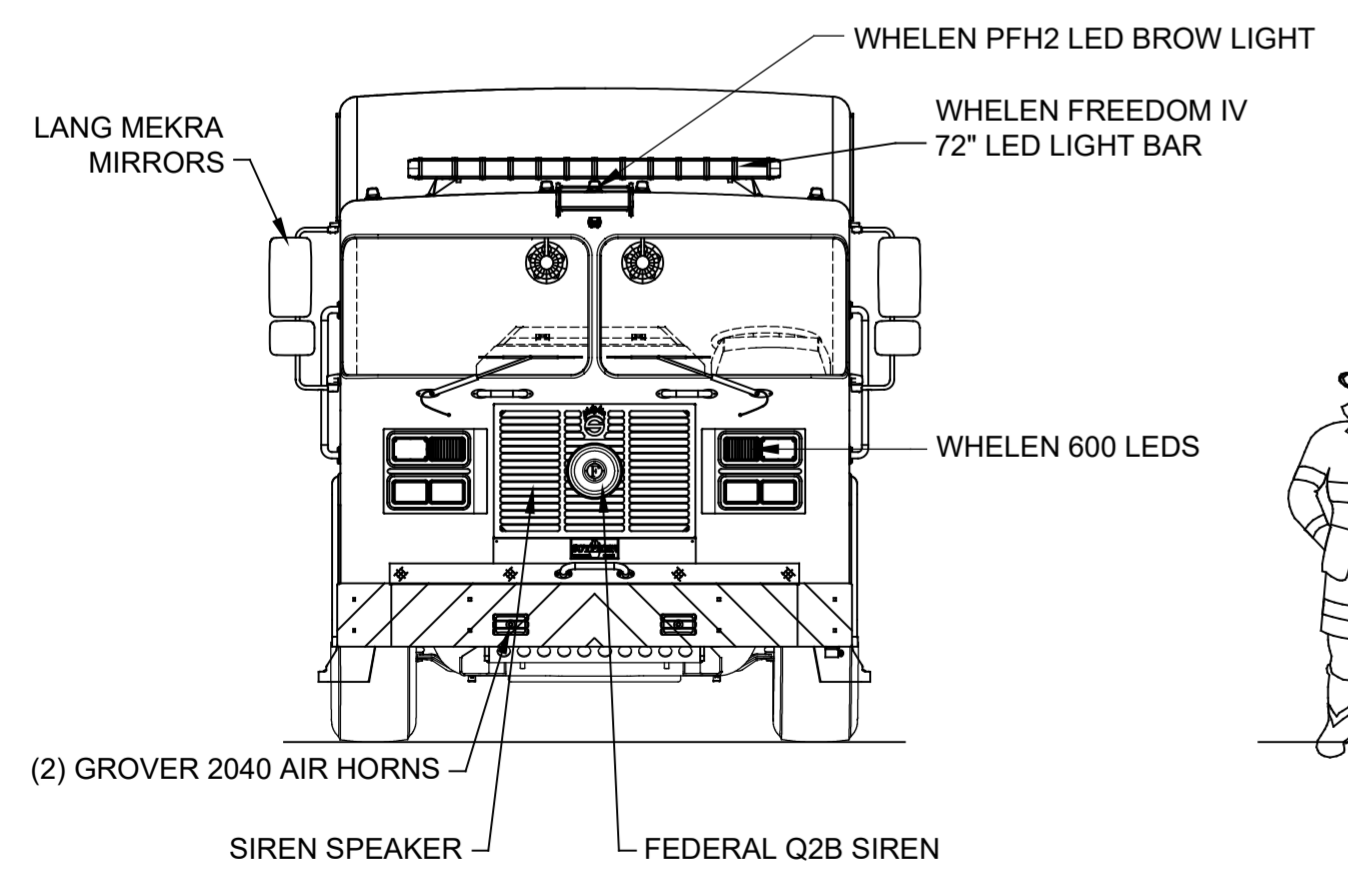
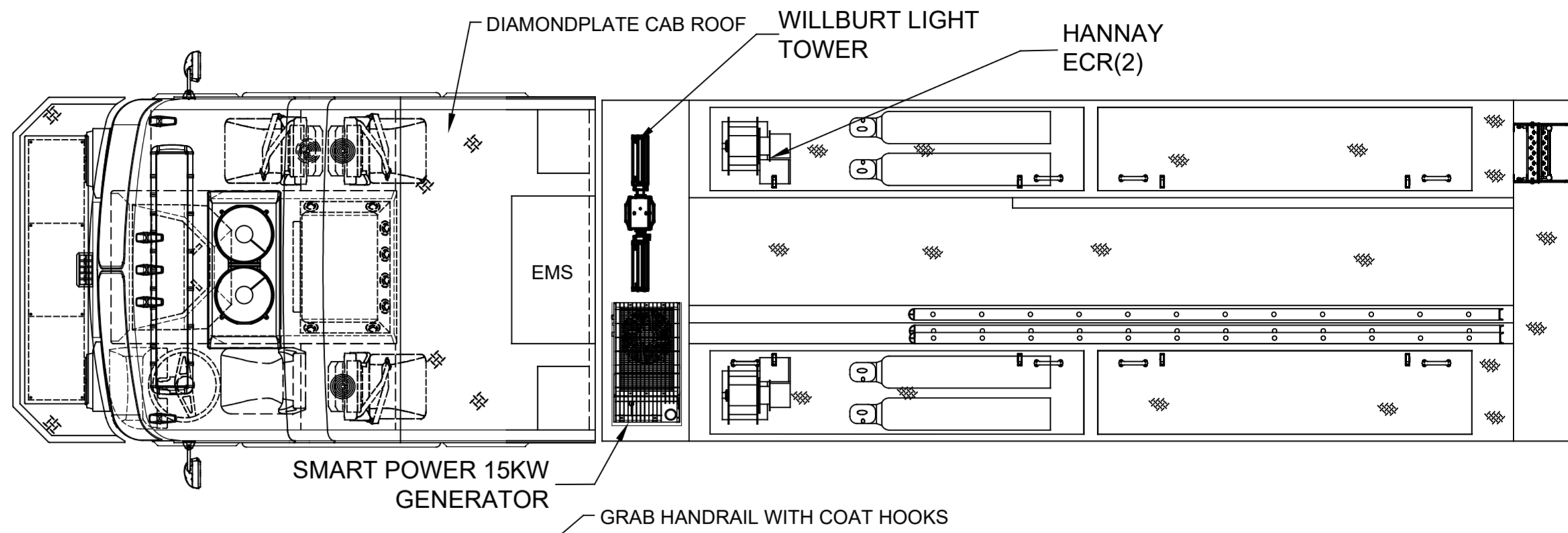


Left Side Compartmentation				
Compt	Doors	Opening Dimensions	Inside Dimensions	Volume
WxHxD				
L1	Roll Up	59x62	66x72xTRANSVERSE	101.4 CU FT
L2	Roll Up	59x62	66x72xTRANSVERSE	101.4 CU FT
L3	Roll Up	57x28	64x38x26.25	36.9 CU FT
L4	Roll Up	59x62	66x72x26.25	72.2 CU FT
Right Side Compartmentation				
Compt	Doors	Opening Dimensions	Inside Dimensions	Volume
WxHxD				
R1	Roll Up	59x62	66x72xTRANSVERSE	101.4 CU FT
R2	Roll Up	59x62	66x72xTRANSVERSE	101.4 CU FT
R3	Roll Up	57x28	64x38x26.25	36.9 CU FT
R4	Roll Up	59x62	66x72x26.25	72.2 CU FT
Rear Compartmentation				
Compt	Doors	Opening Dimensions	Inside Dimensions	Volume
LxHxD				
A1	HINGE	35x70	42x70x130	211.18 CU FT
Coffin Compartmentation				
Compt	Doors	Opening Dimensions	Inside Dimensions	Volume
LxHxW				
LH	Hatch	107.5x24	237x31x28	115.2 CU FT
RH	Hatch	107.5x24	220x31x28	115.2 CU FT
Total Volume				1,071.38 CU Ft



DIMENSIONS SHOWN ON THIS DRAWING ARE APPROXIMATE AND ARE SUBJECT TO MINOR DEVIATIONS DURING CONSTRUCTION.	CUSTOMER APPROVAL				DRAWN BY: RAGHU
IN THE EVENT OF A DISCREPANCY BETWEEN THE SUTPHEN SPECIFICATIONS AND DRAWING, THE SUTPHEN SPECIFICATIONS SHALL PREVAIL.	NAME: _____				DATE: 10/20/21
DRAWING IS FOR REFERENCE ONLY. SOME ITEMS PROPOSED MAY NOT BE SHOWN OR NOTED.	TITLE: _____				MFG. FACILITY: SUTPHEN EAST LAKE ARIEL, PA
	DATE: _____				SUTPHEN EAST LAKE ARIEL, PA
	REV. _____	DESCRIPTION	BY	DATE	DWG. NO.: HS-###
THIS PRINT IS PROVIDED ON A RESTRICTED BASIS AND IS NOT TO BE USED IN ANY WAY DETRIMENTAL TO THE INTEREST OF SUTPHEN CORPORATION.					
					 BLOOMFIELD TOWNSHIP BLOOMFIELD TWP, MI HEAVY RESCUE - RA-22