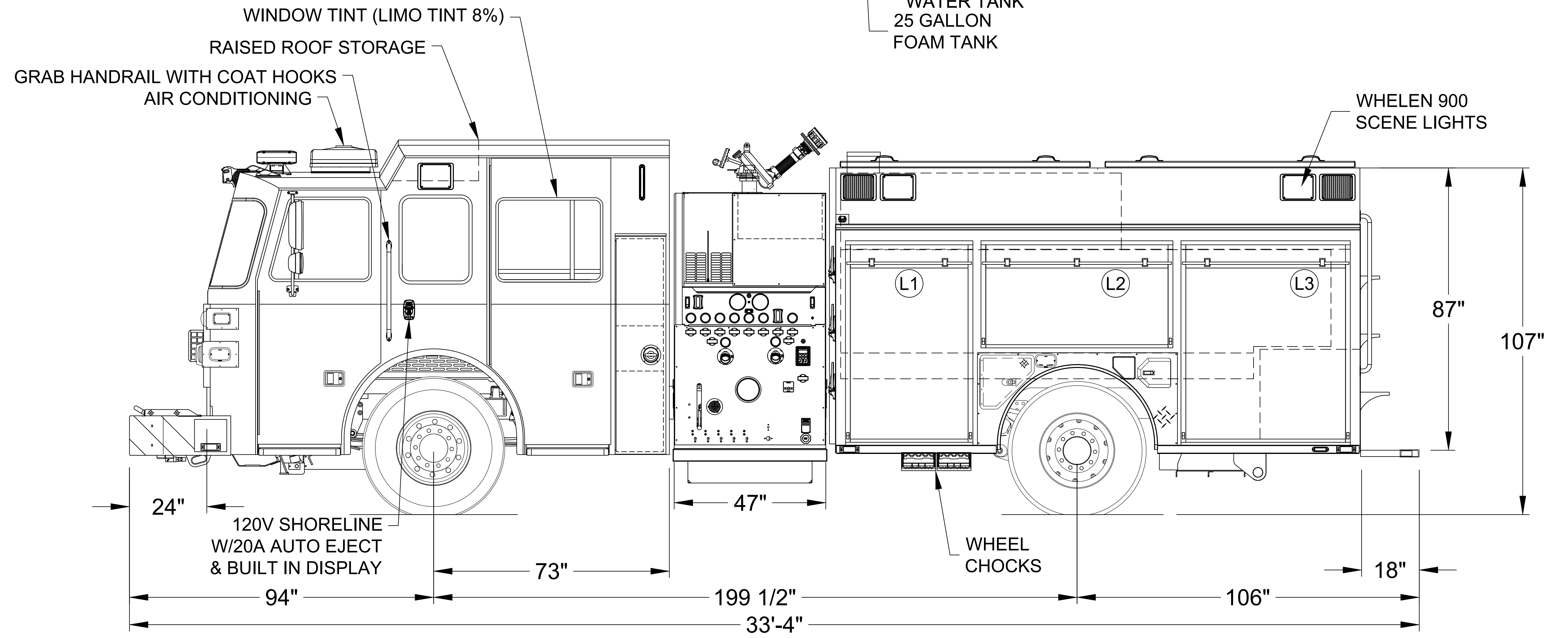
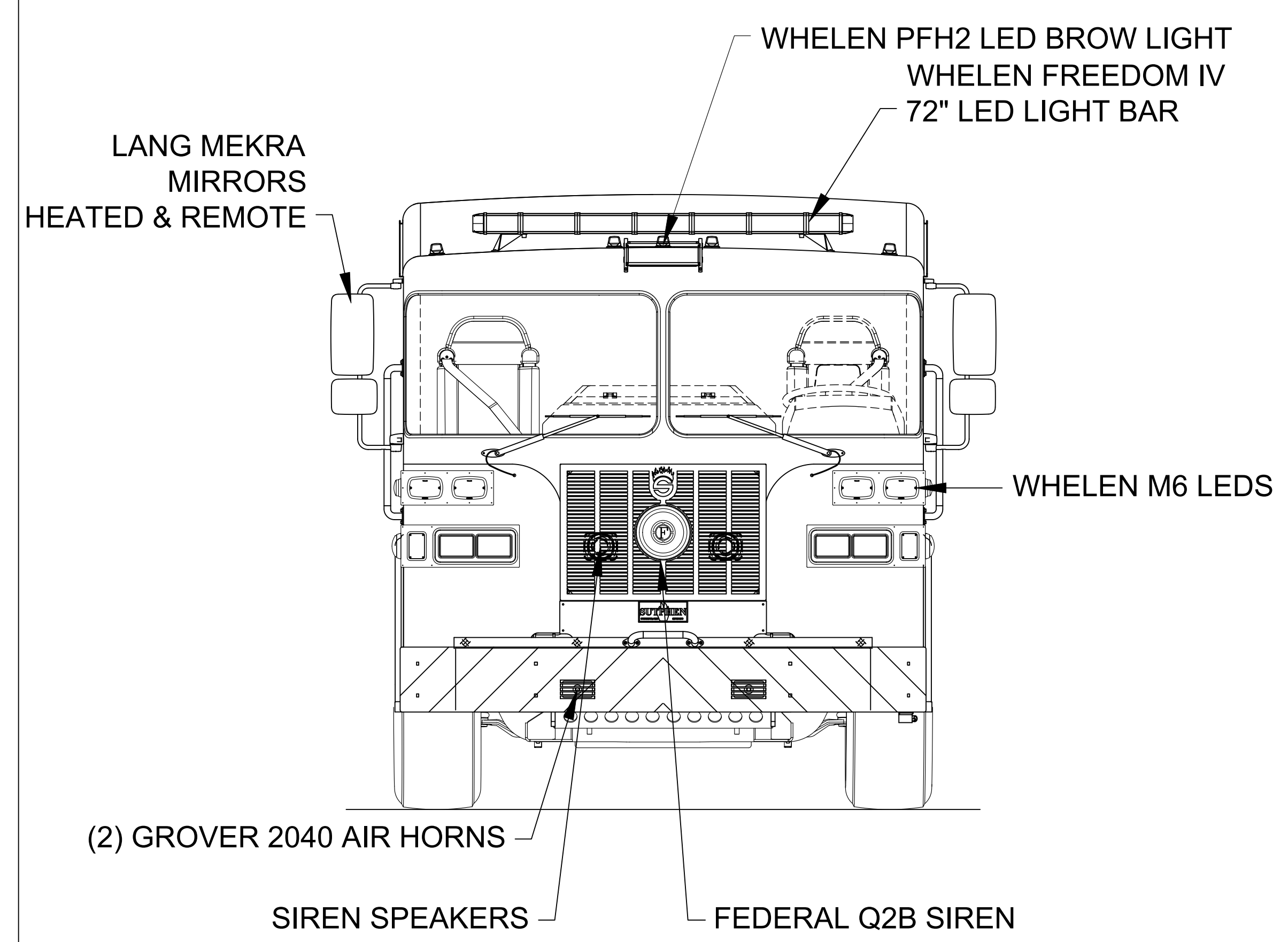
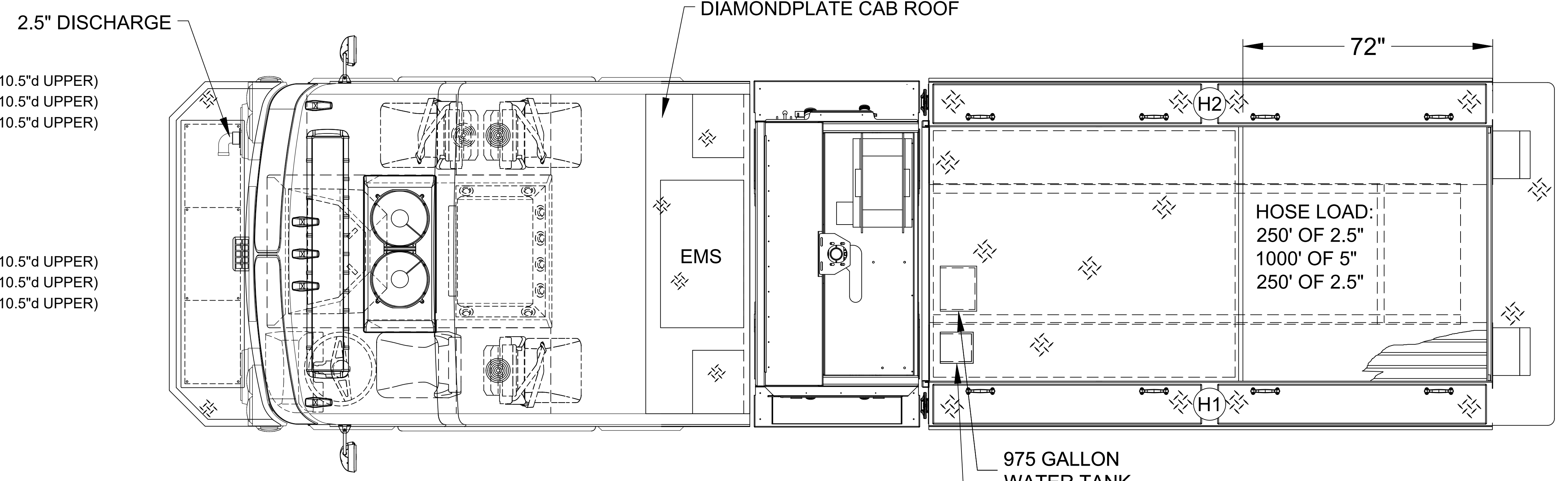


LEFT SIDE COMPARTMENTS				
COMPT	DOORS	OPENING DIMENSIONS	INSIDE DIMENSIONS	VOLUME
L1	ROLL-UP	37.5" w X 55.4" h	43.1" w X 66" h X 25.8" d	38.7 CU. FT. (10" h X 10.5" d UPPER)
L2	ROLL-UP	57.5" w X 26.2" h	61.6" w X 36.8" h X 25.8" d	28.4 CU. FT. (10" h X 10.5" d UPPER)
L3	ROLL-UP	50.5" w X 55.4" h	53.4" w X 66" h X 25.8" d	47.9 CU. FT. (10" h X 10.5" d UPPER)
H1	LIFT-UP	(2) 9.25" w X 73.25" l	161.8" w X 17.3" h X 12.9" d	20.9 CU. FT.

RIGHT SIDE COMPARTMENTS				
COMPT	DOORS	OPENING DIMENSIONS	INSIDE DIMENSIONS	VOLUME
R1	ROLL-UP	37.5" w X 55.4" h	43.1" w X 66" h X 25.8" d	38.7 CU. FT. (10" h X 10.5" d UPPER)
R2	ROLL-UP	57.5" w X 26.2" h	61.6" w X 36.8" h X 25.8" d	28.4 CU. FT. (10" h X 10.5" d UPPER)
R3	ROLL-UP	50.5" w X 55.4" h	53.4" w X 66" h X 25.8" d	47.9 CU. FT. (10" h X 10.5" d UPPER)
H2	LIFT-UP	(2) 9.25" w X 73.25" l	161.8" w X 17.3" h X 12.9" d	20.9 CU. FT.

REAR STEP COMPARTMENT				
COMPT	DOORS	OPENING DIMENSIONS	INSIDE DIMENSIONS	VOLUME
A1	ROLL-UP	40.5" w X 30.8" h	43" w X 28" h X 31" d	21.6 CU. FT.
TOTAL:				293.4 CU. FT.



DIMENSIONS SHOWN ON THIS DRAWING ARE APPROXIMATE AND ARE SUBJECT TO MINOR DEVIATIONS DURING CONSTRUCTION.

IN THE EVENT OF A DISCREPANCY BETWEEN THE SUTPHEN SPECIFICATIONS AND DRAWING, THE SUTPHEN SPECIFICATIONS SHALL PREVAIL.

DRAWING IS FOR REFERENCE ONLY. SOME ITEMS PROPOSED MAY NOT BE SHOWN OR NOTED.

CUSTOMER APPROVAL

NAME: _____

TITLE: _____

DATE: _____

REV.	DESCRIPTION	BY	DATE	MFG. FACILITY:
D	UPDATED PER DEALER NOTES AS OF 03/08/2022	DPN	03/08/2022	DATE: 02/04/2022
C	UPDATED PER DEALER NOTES AS OF 03/03/2022	DPN	03/03/2022	DRAWN BY: D.NAYLOR
B	UPDATED PER DEALER NOTES AS OF 02/28/2022	DPN	02/28/2022	REVIEWER: -
A	UPDATED PER DEALER NOTES AND LATEST COMPONENT REPORT AS OF 02/23/2022	DPN	02/24/2022	APPROVER: -

THIS PRINT IS PROVIDED ON A RESTRICTED BASIS AND IS NOT TO BE USED IN ANY WAY DETRIMENTAL TO THE INTEREST OF SUTPHEN CORPORATION.

SUTPHEN

ADRIAN FIRE DEPARTMENT
 ADRIAN, MI

CUSTOM PUMPER - S9
 ADRIAN, MI (2022 S9).dwg

DWG. NO. _____