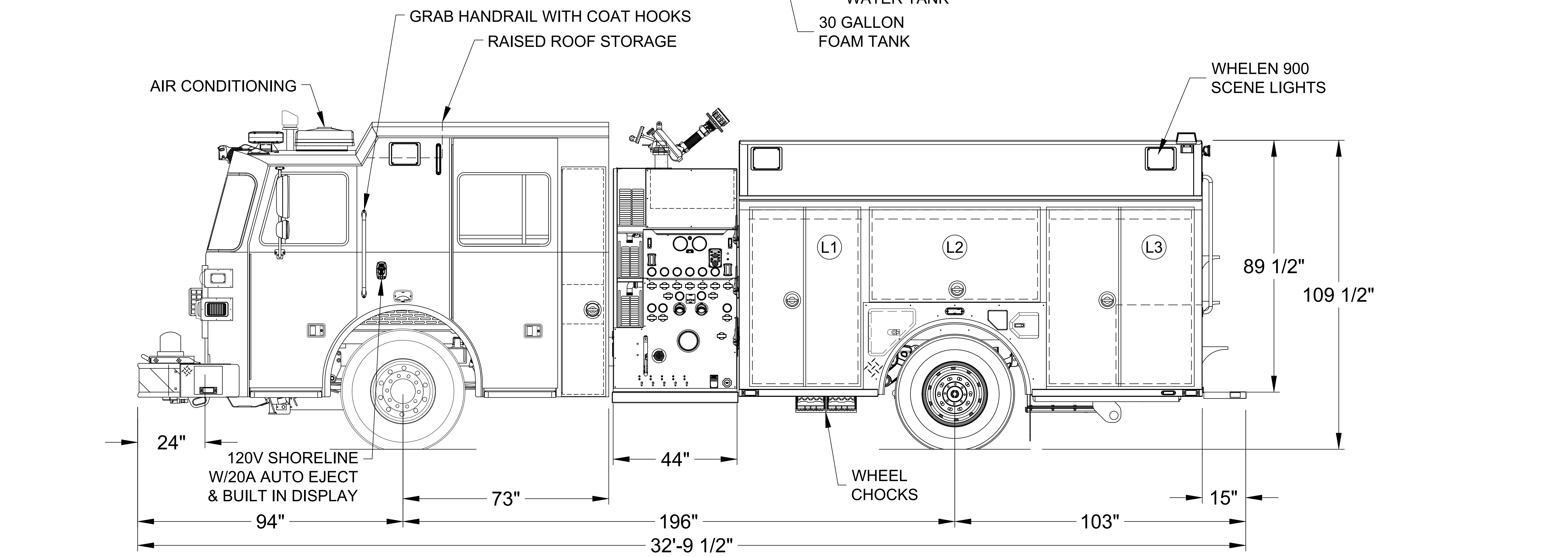
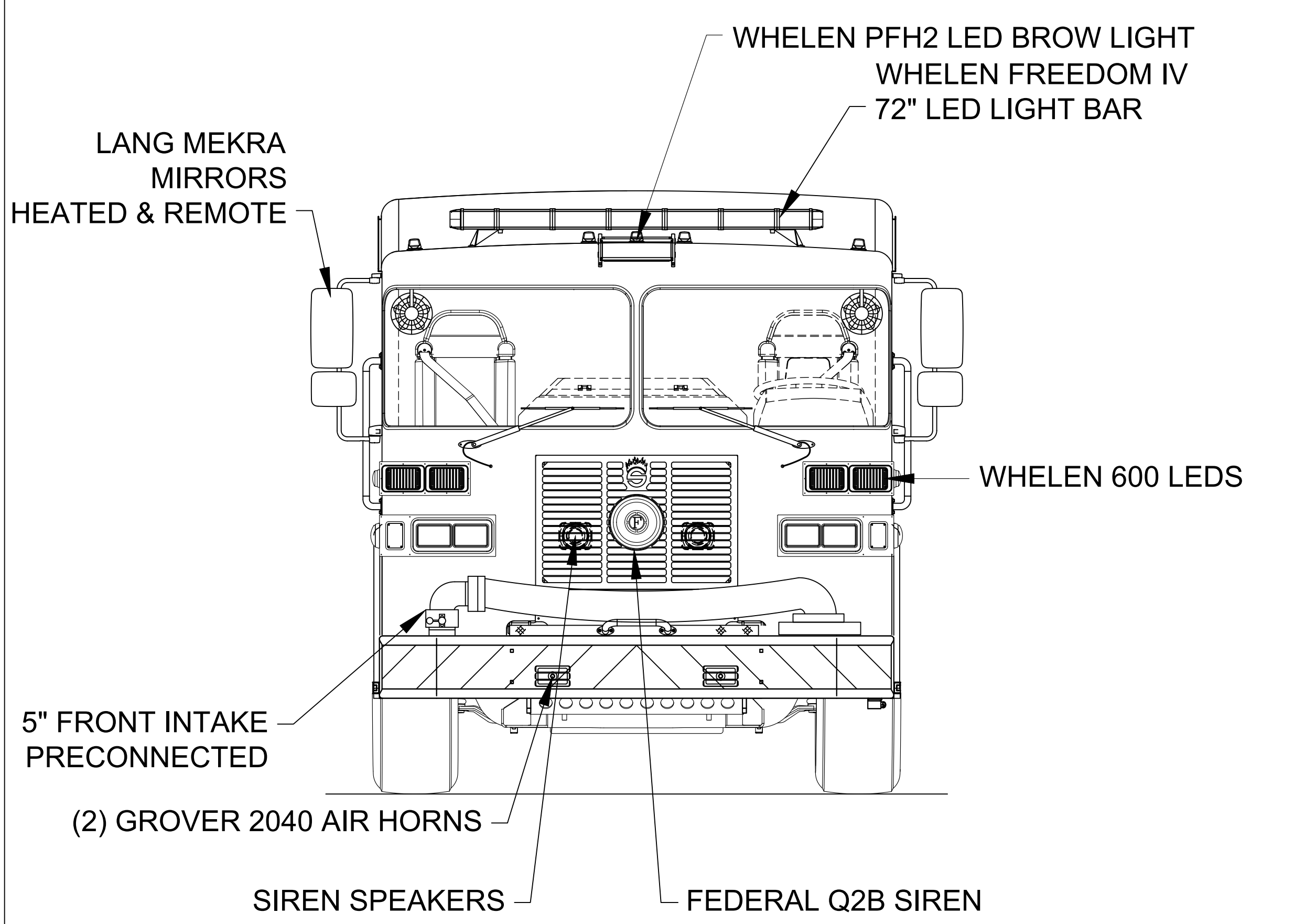
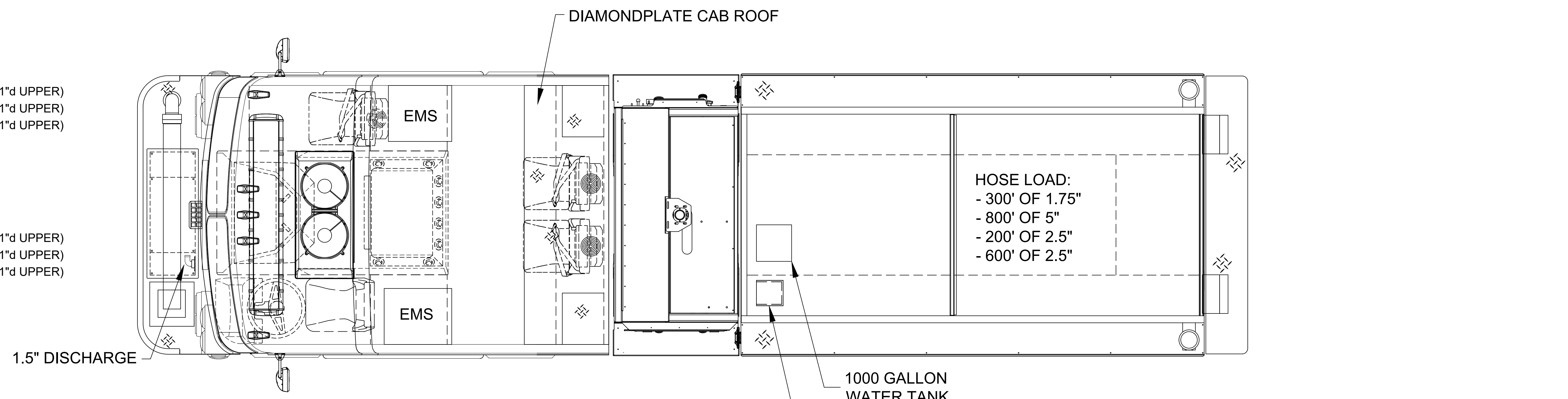


LEFT SIDE COMPARTMENTS				
COMPT	DOORS	OPENING DIMENSIONS	INSIDE DIMENSIONS	VOLUME
L1	DOUBLE	37.5" w X 56.5" h	40" w X 66" h X 26" d	37.4 CU. FT. (8" h X 11" d UPPER)
L2	LIFT-UP	56.25" w X 27" h	59" w X 31.5" h X 26" d	28.4 CU. FT. (8" h X 11" d UPPER)
L3	DOUBLE	48.75" w X 56.5" h	51.5" w X 66" h X 26" d	47.4 CU. FT. (8" h X 11" d UPPER)

RIGHT SIDE COMPARTMENTS				
COMPT	DOORS	OPENING DIMENSIONS	INSIDE DIMENSIONS	VOLUME
R1	DOUBLE	37.5" w X 56.5" h	40" w X 66" h X 26" d	37.4 CU. FT. (8" h X 11" d UPPER)
R2	LIFT-UP	56.25" w X 27" h	59" w X 31.5" h X 26" d	28.4 CU. FT. (8" h X 11" d UPPER)
R3	DOUBLE	48.75" w X 56.5" h	51.5" w X 66" h X 26" d	47.4 CU. FT. (8" h X 11" d UPPER)

REAR STEP COMPARTMENT				
COMPT	DOORS	OPENING DIMENSIONS	INSIDE DIMENSIONS	VOLUME
A1	ROLL-UP	36.75" w X 19" h	39.5" w X 28" h X 31" d	19.8 CU. FT.
TOTAL:				246.2 CU.FT.



DIMENSIONS SHOWN ON THIS DRAWING ARE APPROXIMATE AND ARE SUBJECT TO MINOR DEVIATIONS DURING CONSTRUCTION.	CUSTOMER APPROVAL		-	-	DRAWN BY:	 SUTPHEN OXFORD FIRE DEPARTMENT OXFORD, MI CUSTOM PUMPER - G9 OXFORD, MI (2022 G9).dwg
	NAME:		C	UPDATED PER DEALER NOTES AND LATEST COMPONENT LISTING AS OF 04/12/2022	DPN	
IN THE EVENT OF A DISCREPANCY BETWEEN THE SUTPHEN SPECIFICATIONS AND DRAWING, THE SUTPHEN SPECIFICATIONS SHALL PREVAIL.	TITLE:		B	REMOVED ALUMINUM HOSEBED COVER PER DEALER NOTES	DPN	04/07/2022
DRAWING IS FOR REFERENCE ONLY. SOME ITEMS PROPOSED MAY NOT BE SHOWN OR NOTED.	DATE:		A	UPDATED PER DEALER NOTES AS OF 04/05/2022	DPN	04/05/2022
			REV.	DESCRIPTION	BY	DATE
THIS PRINT IS PROVIDED ON A RESTRICTED BASIS AND IS NOT TO BE USED IN ANY WAY DETRIMENTAL TO THE INTEREST OF SUTPHEN CORPORATION.						