

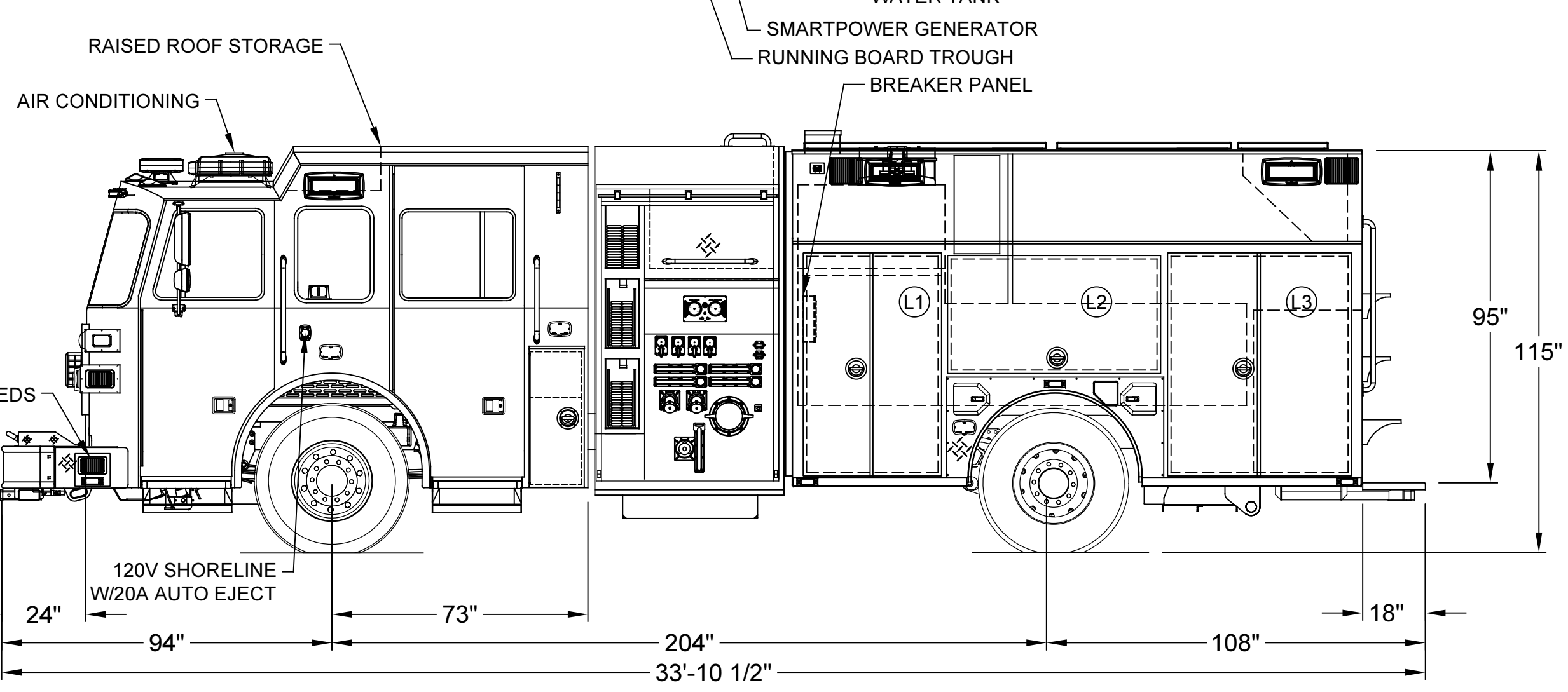
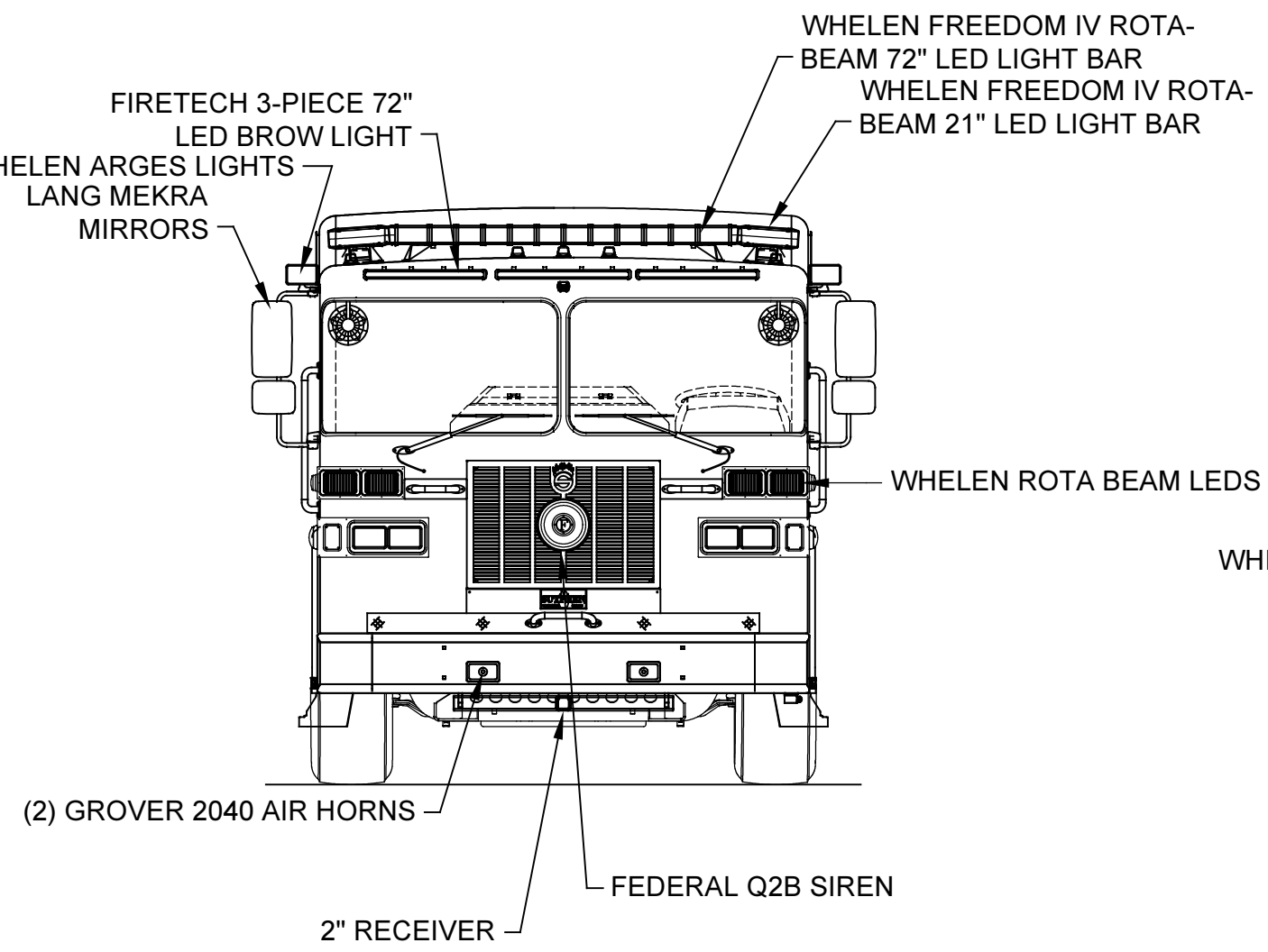
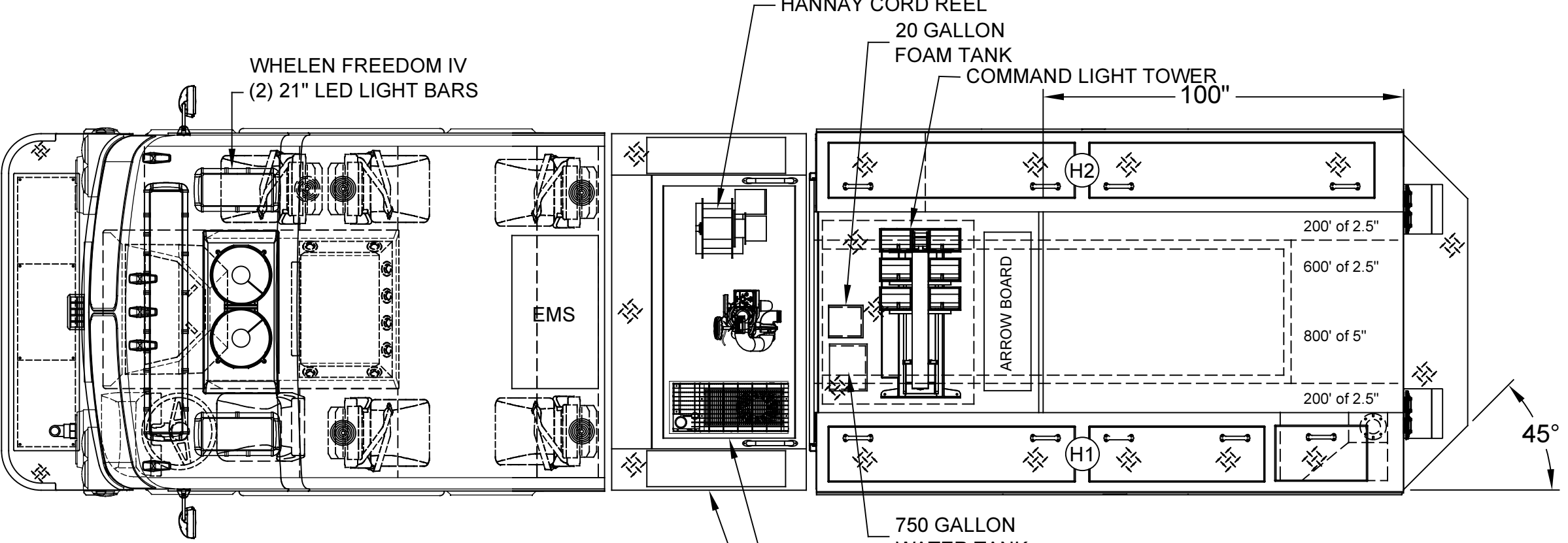
LEFT SIDE COMPARTMENTS				
COMPT	DOORS	OPENING DIMENSIONS	INSIDE DIMENSIONS	VOLUME
L1		35.5\"w X 58.4\"h	43.1\"w X 66\"h X 27.3\"d	40.8 CU. FT.
L2	LIFT-UP	55.0\"w X 31.9\"h	61.6\"w X 36.8\"h X 27.3\"d	29.8 CU. FT.
L3	DOUBLE	48.5\"w X 58.4\"h	52.4\"w X 66\"h X 27.3\"d	49.6 CU. FT.
H1	LIFT-UP	19\"w X 55.6\"l / 19\"w X 87\"l	161.8\"w X 25.6\"h X 21.8\"d	52.2 CU. FT.

RIGHT SIDE COMPARTMENTS				
COMPT	DOORS	OPENING DIMENSIONS	INSIDE DIMENSIONS	VOLUME
R1	DOUBLE	35.5\"w X 58.4\"h	43.1\"w X 66\"h X 27.3\"d	33.9 CU. FT.
R2	LIFT-UP	55.0\"w X 31.9\"h	61.6\"w X 36.8\"h X 16.0\"d	19.0 CU. FT.
R3	DOUBLE	48.5\"w X 58.4\"h	52.4\"w X 66\"h X 27.3\"d	41.2 CU. FT.
H2	LIFT-UP	19\"w X 55.6\"l / 19\"w X 87\"l	161.8\"w X 25.6\"h X 21.8\"d	52.2 CU. FT.

\*R1 & R3 HAVE 61.6\"w X 24.5\"h X 16.0\"d MIDDLE SECTIONS

REAR STEP COMPARTMENT				
COMPT	DOORS	OPENING DIMENSIONS	INSIDE DIMENSIONS	VOLUME
A1	DOUBLE	37.5\"w X 38.8\"h	40\"w X 46\"h X 31\"d	33 CU. FT.

TOTAL: 351.7 CU.FT.



DIMENSIONS SHOWN ON THIS DRAWING ARE APPROXIMATE AND ARE SUBJECT TO MINOR DEVIATIONS DURING CONSTRUCTION.

IN THE EVENT OF A DISCREPANCY BETWEEN THE SUTPHEN SPECIFICATIONS AND DRAWING, THE SUTPHEN SPECIFICATIONS SHALL PREVAIL.

DRAWING IS FOR REFERENCE ONLY. SOME ITEMS PROPOSED MAY NOT BE SHOWN OR NOTED.

CUSTOMER APPROVAL

NAME: \_\_\_\_\_

TITLE: \_\_\_\_\_

DATE: \_\_\_\_\_

REV.	DESCRIPTION	BY	DATE

DRAWN BY:  
FAULKNER

DATE:  
4/3/20

MFG. FACILITY:  
DUBLIN

NOVI FIRE DEPARTMENT  
NOVI, MI

CUSTOM PUMPER - XX-XX

DWG. NO.: HS-####