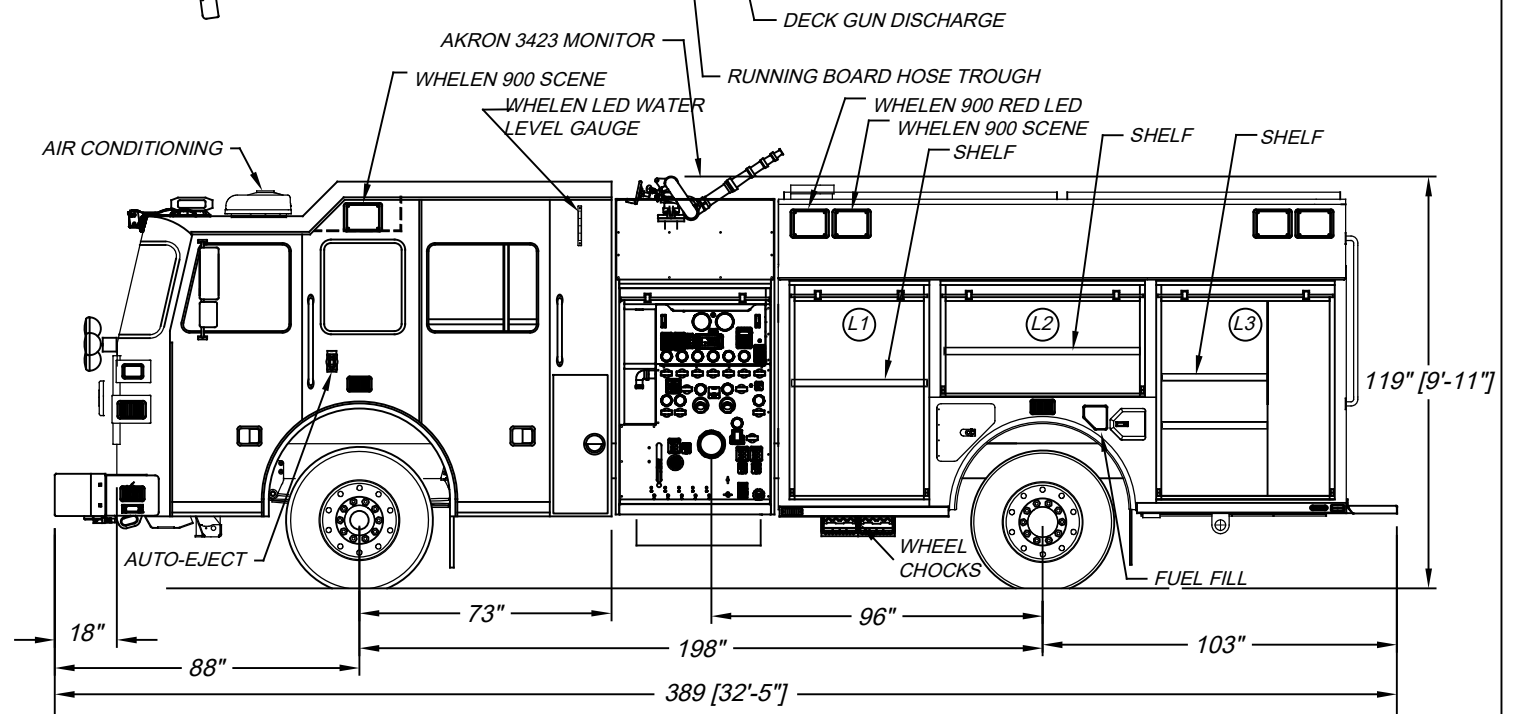
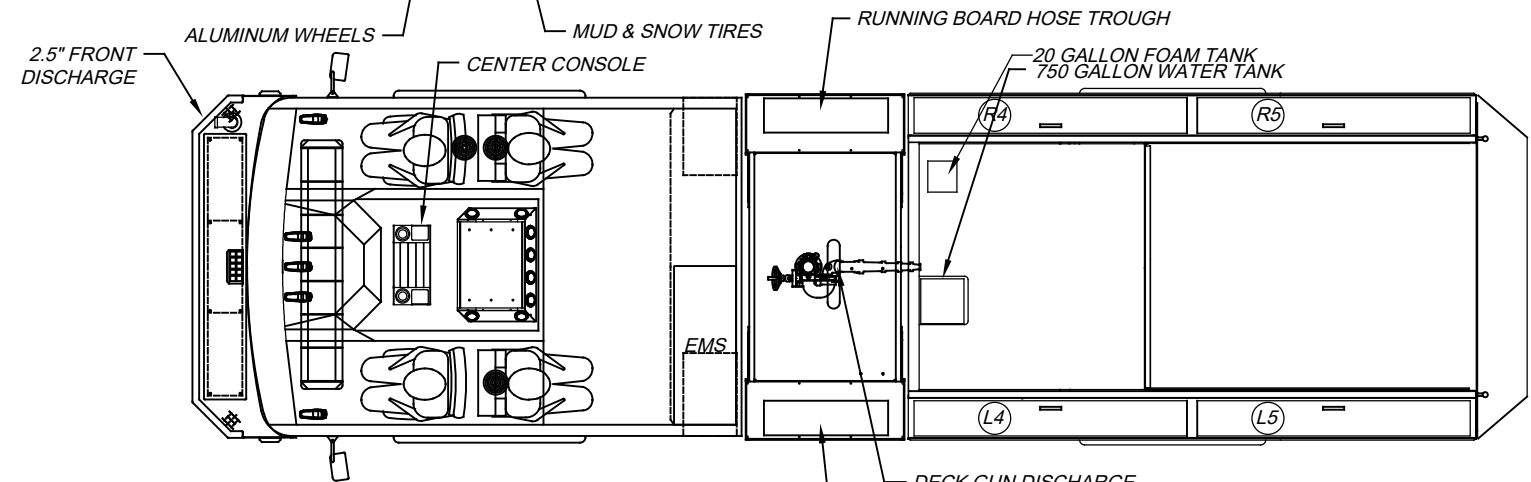
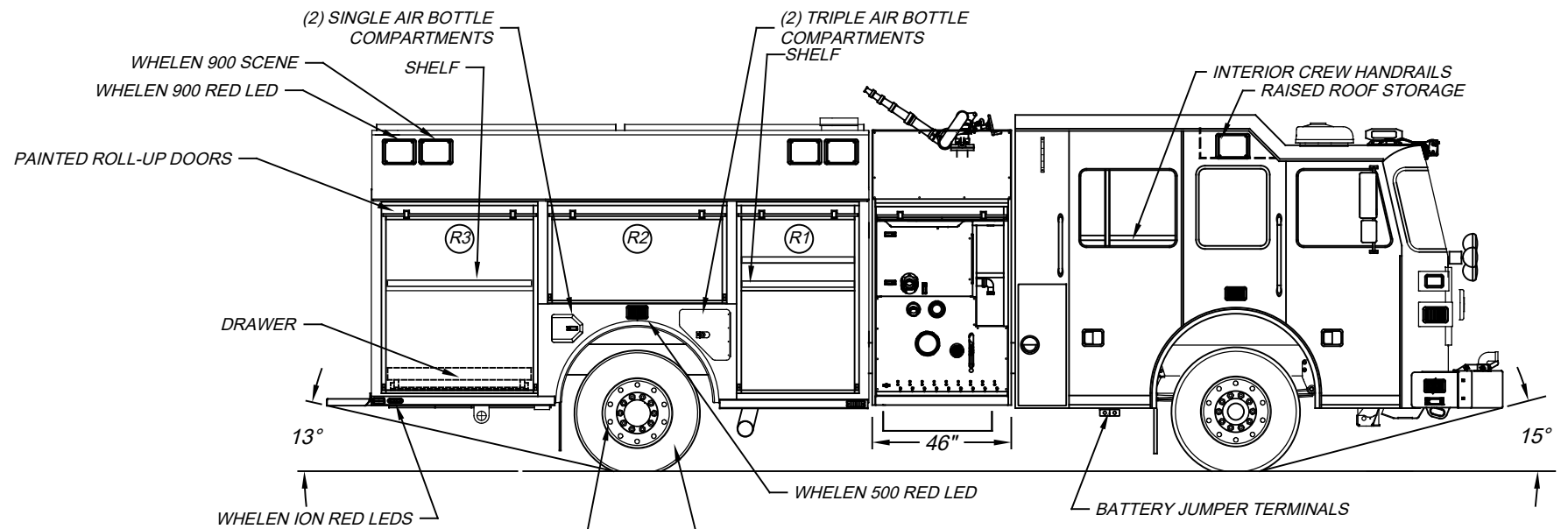
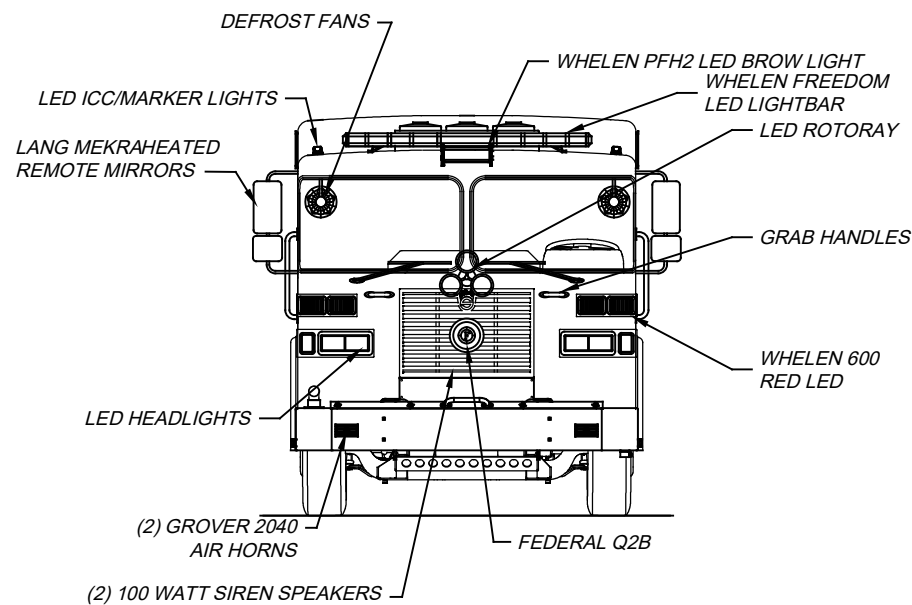


LEFT SIDE COMPARTMENTATION				
COMPT	DOORS	INSIDE DIMENSIONS	DOOR OPENING DIMENSIONS	VOLUME
L1	ROLL-UP	40\"/>		

BASE STORAGE: 222 CU. FT.
TOTAL STORAGE: 294 CU. FT.



DIMENSIONS SHOWN ON THIS DRAWING ARE APPROXIMATE AND ARE SUBJECT TO MINOR DEVIATIONS DURING CONSTRUCTION.

IN THE EVENT OF A DISCREPANCY BETWEEN THE SUTPHEN SPECIFICATIONS AND DRAWING, THE SUTPHEN SPECIFICATIONS SHALL PREVAIL.

DRAWING IS FOR REFERENCE ONLY. SOME ITEMS PROPOSED MAY NOT BE SHOWN OR NOTED.

CUSTOMER APPROVAL

NAME: _____

TITLE: _____

DATE: _____

REV.	DESCRIPTION	BY	DATE
B	UPDATED TO MIDCON CHANGES	AA	1/30/23
B	REMOVED HOSEREEL IN DUNNAGE AREA PER SHOP ORDER	AA	7/14/22
A	UPDATED TO MATCH REV A OF THE SHOP ORDER	AA	7/12/22

DRAWN BY:
A.ALEXANDER

DATE:
6/6/22

MFG. FACILITY:
URBANA PUMPER DIVISION

SUTPHEN

CITY OF MIDLAND, MI
MIDLAND, MI

PROGRAM 1 CUSTOM PUMPER

DWG. NO.: HS-7521-23



Sutphen
Component Report
 Dealership: Apollo Fire
 Equipment

HS-7521-23 CITY OF MIDLAND, MI

Order#: SOB003320
 Contact: JOSHUA MOSHER
 Position: FIRE CHIEF
 Phone: 989-837-3410
 Mobile:
 Email: JMOSHER@MIDLAND-MI.ORG

Bill To	Ship To
Customer: CITY OF MIDLAND Contact: JOSHUA MOSHER, FIRE CHIEF Address: 333 W. Ellsworth St. MIDLAND, MI 48640	Customer: City of Midland Fire Department Contact: JOSHUA MOSHER, FIRE CHIEF Address: 816 Haley Street Midland, MI 48640

Comments
Project Coordinator: Austin Alexander Sales Person: David Desrochers Revision Level: Rev C **1/30/23** Truck Type: G2 H/SM Body Facility: Urbana <div style="border: 1px solid black; padding: 5px; display: inline-block; margin-left: 200px;">BLACKOUT PACKAGE</div>

Line	Item #	Qty	Item Description/Comments
1	10001200	1	MAXIMUM APPARATUS HEIGHT =
2		1	<i>Overall Apparatus Height = 9'11" +/- 2".</i>
3	10001220	1	MAXIMUM APPARATUS LENGTH = 32'
4		1	<i>Overall Apparatus Length = 32'5" +/- 2".</i>

CHASSIS

5	10088888		SPECIAL ITEM BLACK OUT PACKAGE CHASSIS <i>Items included:</i> Upper Grille - Textured Lower Grille - Textured Head Light Buckets - Textured Cab Grab Handles – Textured High Friction J Trim – Textured Door Handles - Cerakote Cab Fenderettes - Textured Lower Cab Steps – Textured High Friction Mirrors – Black Housing Q2B - Textured Bumper Treadplate – Textured High Friction Bumper Trough Lid – Textured High Friction Rotoray - Painted Hub Caps – Texture Matte Lugnut Covers – Textured Matte Interior Grab Handles – Textured High Friction
---	----------	--	---

Line	Item #	Qty	Item Description/Comments
			<i>Exterior Cab Compartment Door Handles – Cerakote</i> <i>Front of Cab Grab Rails – Textured High Friction</i> <i>Coat Hooks - Textured</i> <i>Drip Edge Above Ext Cab Compartments – Powdercoat</i> REV A **7/7/22**
6	10010001	1	CHASSIS, CUSTOM
7	51070198	1	WHEELBASE = 198
8		1	<i>AF Number = 54"</i> <i>PTA = 96"</i>
9	25010100	1	FRAME, 10" DOUBLE RAILS, SINGLE AXLE (50K PSI)
10	45010001	1	FRONT TOW EYES, BELOW BUMPER, PAINTED
11	46010000	1	REAR TOW EYES, PAINTED
12	40010250	1	STEERING - ROSS TAS-85
13	22010000	1	DRIVE LINE, SPICER, 1710 SERIES
14	54010500	1	COLD WEATHER PACKAGE
15		1	<i>Cold Weather Package Includes:</i> <ul style="list-style-type: none"> · <i>FleetGuard fuel filter/water separator with 12V heater</i> · <i>Innovative Controls gauge heater with heat tapes for up to twelve (12) gauges</i> · <i>12v pump compartment heater/fan with switch on pump panel</i> REV A **7/7/22**
16	23014130	1	ENGINE, CUMMINS L 9 450HP DOC-DPF-DEF-SCR OBD
17	23029100	1	ENGINE WARRANTY, 5 YEAR, 100,000 MILES FOR CUMMINS L9
18	23030006	1	AIR INTAKE/EMBER SEPARATOR
19	23031173	1	FUEL FILTER/WATER SEPARATOR, PRIMARY, FLEETGUARD, FS1098
20	23031210	1	FUEL FILTER, SECONDARY, FLEETGUARD, FF63009
21	47012430	1	TRANSMISSION, ALLISON GEN 5, EVS3000
22	23110005	1	JACOBS ENGINE BRAKE FOR CUMMINS L ENGINES
23	47024050	1	TRANSMISSION COOLER
24	47030000	1	ALLISON TOUCH PAD SHIFTER
25		1	<i>Shifter Pad Gearing = 5 Gears open, 6th Gear with Mode Button</i> REV A **7/7/22**
26	21021200	1	COOLING SYSTEM
27	21030195	1	COOLANT FILTER


Line	Item #	Qty	Item Description/Comments
28	21030000	1	FAN CLUTCH
29	21030200	1	RADIATOR COOLANT RECOVERY, PRESSURIZED SYST
30	26010010	1	FUEL TANK, STAINLESS STEEL, 65 GAL
31	26030000	1	FUEL FILL
32	26030100	1	FUEL COOLER
33	24040000	1	DIESEL EXHAUST FLUID TANK
34		1	<i>DEF Access = Hinged Door for DEF Access.</i>
35	13010205	1	ALTERNATOR, LEECE NEVILLE 320 AMP 4915PA
36	13030100	1	LOW VOLTAGE ALARM, FLOYD BELL TXB-V86-515-QF
37	15010500	1	BATTERIES, INTERSTATE TYPE 31 MHD (4)
38	15031700	1	BATTERY JUMPER TERMINALS
39	15030460	1	120V SHORELINE INLET, KUSSMAUL SUPER 20 AUTO EJECT W/ BUILT IN DIGITAL DISPLAY 091-55-194X-XXX
40		1	<i>Shoreline Inlet Location = Driver's side of Cab, standard location.</i>
41		1	<i>Shoreline Cover Color = Red.</i>
42	15040100	4	120V OUTLET WIRED TO SHORELINE INLET - EA (4) REV A **7/7/22**
43		1	<i>Nema Number = 5-20 House Plug Duplex. (4 Gang Boxes)</i> All outlets tied to the inverter REV A **7/7/22**
44		1	<i>Outlet Locations = #1 – In Cab Behind OS seat in STD location #2 – L3 Forward Wall High toward the Back #3 – Ems Cabinet on the Backwall lower right corner #4 – R1 Forward Wall High toward the Back</i> REV A **7/7/22**
45	15088888	1	SPECIAL ITEM, KUSSMAUL 1500 INVERTER
46			<i>Kussmaul (091-263-12-1500) will be installed in cab as a battery charger/inverter.</i>
47		1	<i>Battery Charger Note: Chassis Division to provide/install battery charger & Auto Eject (if applicable)</i>
48	14022120	1	FRONT AXLE, HENDRICKSON STEERTEK NXT 20,000 LB.
49	41022120	1	FRONT SUSPENSION, HENDRICKSON 20,000 LBS. (4) 56" LEAFS

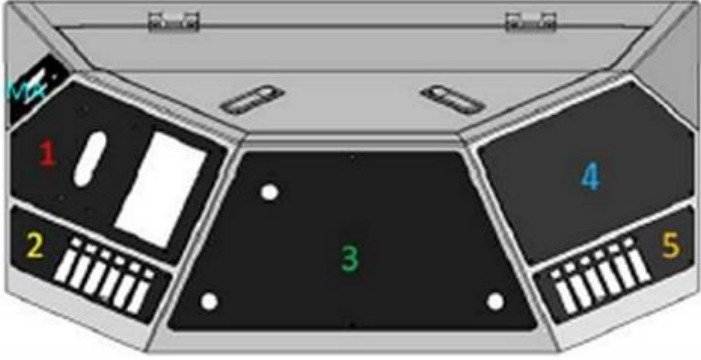
Line	Item #	Qty	Item Description/Comments
50	41040510	1	STEER ASSIST
51	43010310	1	FRONT TIRES MICHELIN 385/65R22.5 LRL X MULTIWAY HD XZE 22.5 x 12.25 WHEELS
52	14510530	1	REAR AXLE, MERITOR RS-26-185 27,000 LB.
53	14530100	1	TOP SPEED, 68 MPH
54	42010015	1	REAR SUSPENSION, FIREMAAX 27,000 LBS. AIR RIDE
55	44010370	1	TIRES, REAR, MICHELIN 12R22.5 LRH XDS MUD & SNOW 24000 - 27,000 GVWR
56	42910300	1	TIRE PRESSURE MONITOR, QUICK PRESSURE REV A **7/7/22**
57	44210220	1	WHEELS, ALUM, ALCOA, DURABLACK (max 27K rear) REV A **7/7/22**
58	44270100	1	HUB COVERS, FRONT & REAR, POLISHED STS (Single Axle)
59	44270300	1	CHROME LUG NUT CAPS, FRONT & REAR (Single Axle)
60	44271100	1	MUD FLAPS, FRONT (PAIR)
61	44271200	1	MUD FLAPS, REAR (PAIR)
62	54010010	1	DATA, SAFETY & WARNING TAGS APPLICATION, ADHESIVE
63	16010255	1	BRAKES STEERTEK DISC PLUS EX225 FRONT, SCAM 7" REAR
64	18010041	1	AIR BRAKE SYST 4 TANKS WABCO 1200 DRYER (24K, 27K)
65	18020000	1	CENTRAL LOCATION FOR AIR TANK DRAINS
66		1	<i>Specify Central Location for Air Tank Drain Valves = UNDER THE L1 COMPARTMENT STD LOCATION</i>
67	18030140	1	AIR INLET CONNECTION
68		1	<i>Standard Air Inlet Location = Left hand side of Driver's step well.</i>
69	18035110	1	AIR COMPRESSOR, KUSSMAUL AUTO PUMP AC, 100PSI
70	18036105	1	TIMER, KUSSMAUL AUTO PUMP
71	18220500	1	NO ELEC STABILITY CONTROL SYS
72	18110000	1	WABCO 4 CHANNEL ANTI-LOCK BRAKES (24K, 27K)
73	53510000	1	COMPRESSION FITTINGS ON AIR SYSTEM (CHASSIS)
74	23029300	1	AFTERTREATMENT WARRANTY, 5 YEAR, 100,000 MILES FOR CUMMINS L9
CAB			

Line	Item #	Qty	Item Description/Comments
75	11023250	1	CAB TSAL4E 73" 10" RR 1/2
76	11030025	1	CAB CERTIFICATION - STRUCTURAL INTEGRITY
77	11030950	1	CAB LOCKDOWN LATCHES
78	11031025	1	CAB TILT SYSTEM, AIR CONTROL VALVE
79		1	<i>Cab Tilt Controls = Officer's side Pump Panel.</i>
80	11031100	1	MANUAL BACK-UP TILT SYSTEM
81	11031350	1	CAB DOORS, FULL LENGTH (4)
82	11031386	1	CAB STEPS, LOWER & INTERMEDIATE DIAMONDPLATE
83	11031396	1	CAB STEP LIGHTING, FEDERAL SIGNAL COMPLEX LED STRIP LIGHTS
84	11031425	1	CAB DOOR WINDOWS, POWER W/AUTO ROLL-UP, WHEN PUMP IS ENGAGED (4)
85	11031401	1	CAB SIDE WINDOWS, FIXED, BOTH SIDES
86	11031460	1	NO WINDOWS, BACK WALL OF CAB
87	52010010	1	ELECTRIC INTERMITTENT WIPERS
88	52030100	1	DEACTIVATE WINDSHIELD WIPERS WITH PARKING BRAKE ENGAGED
89		1	<i>Override Switch to Re-Engage Wipers? = Yes.</i>
90	52030200	1	WINDSHIELD WASHER RESERVOIR
91	38010020	1	MIRRORS LANG MEKRA 300 SERIES HEATED & REMOTE
92	11024425	1	UPPER GRILLE, AMERICAN FLAG TUBULAR STYLE FACADE (L9) REV A **7/7/22**
93	11024500	1	FLAMING "S" LOGO, UPPER GRILLE, REFLECTIVE RED
94	11024615	1	LOWER GRILLE, POLISHED STAINLESS, LASER CUT LETTERING W/ BACKLIGHTING REV A **7/7/22**
95		1	<i>Design for lower grille = Verbiage = ENGINE (1), (2) AND (3) PER RESPECTIVE UNIT Color = RED (Note: Text cannot be larger than air cut-outs.)</i> REV A **7/7/22**
96	20012210	1	BUMPER, 18" FORMED STEEL CHANNEL, PAINTED REV A **7/7/22**
97		1	<i>Siren Speaker Perforations = No Speaker Perforations in Bumper.</i>
98	20029810	1	BUMPER SIDES, PAINTED STEEL, FLAT (12"-24" EXTENSION) REV A **7/7/22**

Line	Item #	Qty	Item Description/Comments
99	20040105	1	STORAGE WELL, DEEP CENTER, FULL WIDTH (18" BUMPER) REV A **7/7/22**
100			DEEP CENTER TO BE MADE AS WIDE AS POSSIBLE REV A **7/7/22**
101	20040300	1	1" LIP AROUND BUMPER TROUGH
102	20042140	1	PROTECTIVE BUMPER COATING, RAPTOR, TOP EDGE OF FRONT BUMPER REV A **7/7/22**
103			Raptor color = Black REV A **7/7/22**
104	20030100	1	STORAGE WELL COVER, TREADPLATE, 2" RAISE
105	20030510	1	CUT-OUT IN STORAGE WELL COVER
106		1	<i>Cut-Out for Treadplate Storage Well Cover = Officer's Side</i>
107	12010500	1	AIR HORNS, DUAL, GROVER #2040 RECTANGULAR
108		1	<i>Air Horns Location: Outboard, (1) each side.</i> REV A **7/7/22**
109	12030010	1	AIR HORNS CUTOUTS IN BUMPER, BEHIND PERFORATIONS (L9 STYLE)
110	12030205	1	AIR HORNS WIRED TO STEERING WHEEL BUTTON REV A **7/7/22**
111	12030350	1	LANYARD CONTROL FOR AIR HORNS
112	12510110	1	ELEC SIREN, WHELEN 295HFS2, REMOTE FLUSH MOUNT
113	12620202	1	SIREN SPEAKER, 100W, WHELEN, SA314B, BLACK FINISH (PAIR)
114	12670110	1	SIREN SPEAKER(S) INSTALLED BEHIND CAB GRILLE
115	12710100	1	SIREN, FEDERAL Q2B, GRILLE MOUNT
116	12730305	1	FOOT SWITCH, DRIVER'S SIDE, FOR MECH SIREN REV A **7/7/22**
117	12730350	1	MOMENTARY SWITCH ON DASH, OFFICER'S SIDE, FOR MECH SIREN REV A **7/7/22**
118	12730363	1	SIREN BRAKE SWITCH FOR MECH SIREN, DRIVER'S & OFFICER'S SIDE
119		1	<i>Siren Brake Switch for Driver in Lower Console Position 2.</i>
120		1	<i>Siren Brake Switch for Officer in Lower Console Position 5.</i>
121	32520520	1	HEADLIGHTS, LED, FIRETECH FT-4X6, DUAL STS HOUSINGS
122		1	<i>Headlight Interior Finish: Black</i> REV A **7/7/22**
123	48010300	1	FRONT TURN SIGNALS, WHELEN 400 SERIES LED (4)

Line	Item #	Qty	Item Description/Comments
124	32530750	1	ICC LIGHTS, LED, ROOF MOUNTED MARKERS, GROTE
125	27022120	1	HANDRAILS, CAB EXTERIOR, KNURLED STAINLESS STEEL (4) SIDE
126	27030625	1	COAT HOOKS ON LOWER GRAB HANDRAILS, DRIVER'S SIDE (2)
127	27030665	1	COAT HOOKS ON LOWER GRAB HANDRAILS, OFFICER'S SIDE (2)
128	27030710	1	HANDRAILS, FRONT OF CAB, KNURLED STAINLESS STEEL (PAIR)
129	27025000	1	HANDRAILS, CAB INTERIOR, BLACK RUBBER COATED (2) FRONT ENTRY
130	27030120	1	HANDRAILS, REAR CAB INTERIOR DOOR, BLACK RUBBERIZED (2) AND KNURLED STS AT WINDOW (2)
131	11032010	1	EXTERIOR COMPT, SIDE OF EXT CAB, 38" H, DS
132			<i>Hinged At the Rear</i> REV A **7/7/22**
133	11032450	1	COMPT DOOR LOCK - NOT PROVIDED
134	11032110	1	OPENING TO DRIVER'S SIDE CREW SEAT COMPT
135	11032060	1	EXTERIOR COMPT, SIDE OF EXT CAB, 38" H, OS
136			<i>Hinged at the Rear</i> REV A **7/7/22**
137	11032450	1	COMPT DOOR LOCK - NOT PROVIDED
138	11032120	1	OPENING TO OFFICER'S SIDE CREW SEAT COMPT
139	11032300	1	PIKE POLE STORAGE, EXTERIOR CAB COMPT
140		1	<i>Location of Accessories in Ext Cab Compt = Transverse accessible through either Ext Compartment</i>
141	11035420	1	DIAMONDPLATE CAB ROOF 30" x FULL WIDTH
142	31010250	1	INTERIOR, MULTISPEC BLACK SPECKLE PAINT W/BLACK EMBOSSED FRP BOARD
143	11033202	1	3/16" SMOOTH ALUM BACK WALL & SIDE WALLS, INSIDE CAB REV A **7/7/22**
144			<i>Painted Black Multispec to match cab interior</i> REV A **7/7/22**
145	11032929	1	DOOR PANEL, FULL STS
146	11032958	1	REFLECTIVE MATL, INTERIOR CAB DOORS, CHEVRONS, REFLEXITE
147		1	<i>Reflective Striping Color = #030 Red Transparent & #L2 Fluorescent Lime.</i>
148		1	<i>Reflective Striping Verbiage = "MIDLAND"</i> REV A **7/7/22**

Line	Item #	Qty	Item Description/Comments
149	31010291	1	CAB INTERIOR FLOOR COVERING, BLACK RUBBERIZED
150	22510100	1	ENGINE ENCLOSURE, FULL LENGTH
151	22510530	1	ENGINE ENCLOSURE COVERING, SCORPION BLACK URETHANE BLEND
152	11031670	1	TOOL MOUNTING PLATE, TOP OF ENGINE ENCLOSURE, NOT PROVIDED
153	11031679	1	CENTER CONSOLE, TOP OF ENGINE ENCLOSURE REV A **7/7/22**
154	22610055	1	ENGINE HOOD LIGHT, LED (2)
155	11031512	1	COMPUTER TRAY IN LIEU OF GLOVE BOX
156	11031710	1	UPPER CREW DOOR AREA, SMOOTH PANEL REV A **7/7/22**
157	29810100	1	CHASSIS ELECTRICAL DESCRIPTION
158	30010130	1	INSTRUMENTATION, AMETEK W/ CENTER & OVERHEAD CONSOLES
			<p>Upper Command Console:</p> 
159		1	<i>Overhead Console Panel's Finish: Black Wrinkle.</i>
160		1	<i>Overhead Console Position 1 Switching</i> 1. Emergency Master 2. Blank 3. Roto-Ray 4. Brow 5. Left Scene 6. Right Scene 7. Rear Scene 8. Blank 9. Blank 10. Blank REV A **7/7/22**
161		1	<i>Overhead Console Position 2</i> AM/FM/BT/WB Radio, Traffic Advisor Control Head REV A **7/7/22**
162		1	<i>Overhead Console Position 3</i> HVAC controls, Camera Monitor
163		1	<i>Overhead Console Position 4</i> Chassis indicators, Seat belt monitor, Airhorn Lanyard
164		1	<i>Overhead Console Position 5</i> Blank

Line	Item #	Qty	Item Description/Comments
165		1	Overhead Console Position 6 Firecom 5100D
166		1	Overhead Console Position 7 Blank
167	30010500	1	LOWER COMMAND CONSOLE, L9 & X12
			<p>Lower Command Console (9L & 12L engines):</p> 
168		1	Lower Command Console Finish: Black Urethane.
169		1	Lower Console Panel's Finish: Black Wrinkle.
170		1	Lower Console Position 1 Pump and Transmission Shifters
171		1	<p>Lower Console Position 2 Switching</p> <ol style="list-style-type: none"> 1. Jake Brake On/Off 2. Jake Brake Hi/Med/Low 3. High Idle 4. Air Horn / City Horn 5. Disconnected Momentary 6. Blank 7. Siren Brake <p>Rev C **1/30/23**</p>
172		1	<p>Lower Console Position 3</p> <p>Siren Head Mounted Low</p> <p>Park Brake</p> <p>Customer 2-Way Radio Head (Motorola APX 6500)</p> <p>12v Power Point Driver's Corner</p> <p>12v USB Dual Power Point Driver's Corner</p> <p>12v Power Point Officer's Corner</p> <p>12v USB Dual Power Point Officer's Corner</p> <p>REV A **7/7/22**</p>
173		1	Lower Console Position 4 Blank
174		1	<p>Lower Console Position 5 Switching</p> <ol style="list-style-type: none"> 1. Q2B 2. Siren Brake 3. Brow 4. Left Scene

Line	Item #	Qty	Item Description/Comments
			5. Right Scene 6. Rear Scene 7. Emergency Master REV A **7/7/22**
175	30010610	1	CAB PUMP SHIFTER, ELECTRIC W/BUE KNOB (FOR HALE G-SERIES / WATEROUS C20 PUMP TRANSMISSION)
176	30011000	1	PUMP INTERLOCK, NOT CONNECTED WITH ODOMETER REV A **7/7/22**
177	30031615	1	DO NOT MOVE LIGHT, WHELEN ION-T LED
178		1	<i>Details for Door Ajar Light = Lens Color = Clear Color = RED</i> REV A **7/7/22**
179		1	<i>Door Ajar Light Location = Centered below upper command console.</i>
180	30031655	1	DO NOT MOVE ALARM WITH SILENCE BUTTON
181			<i>Push Button is small red button in UCC #4</i> REV A **7/7/22**
182	29930210	1	DELETE MAPBOOK SLOT ON FRONT BREAKER PANEL REV A **7/7/22**
183	29910100	1	PROGRAMMABLE LOAD MANAGER, CLASS-1 SUPERNODE II
184		1	<i>Electrical System = Point-to-Point</i>
185	33530654	1	INTERIOR CAB DOOR WARNING LIGHTS, WHELEN ION T-SERIES LED, TLI* (QTY 4) REV A **7/7/22**
186			<i>Warning light Detail = Color = Amber Lens Color = Clear</i> REV A **7/7/22**
187	30031100	1	HIGH IDLE SWITCH
188	30031775	1	12V POWER POINTS, (2)
189		1	<i>Power Point Location #1: Lower Console Position 3, Driver's corner.</i>
190		1	<i>Power Point Location #2: Lower Console Position 3, Officer's corner.</i>
191	30031803	1	12V DUAL PORT USB POWER POINTS, (3) REV A **7/7/22**
192		1	<i>USB Power Point Location #1: Lower Console Position 3, Driver's corner.</i>
193		1	<i>USB Power Point Location #2: Lower Console Position 3, Officer's corner.</i>
194			<i>USB Power Point Location #3: Rear of Doghouse on Officers Side (avoid direct overlay with the rear A/C Storage box)</i> REV A **7/7/22**
195	11040000	1	CAB ACCESSORY FUSE PANEL

Line	Item #	Qty	Item Description/Comments
196	84541540	1	POWER & GROUND STUDS, UPPER COMMAND CONSOLE
197		1	<i>Requirements (AMPS) for Power/Ground Studs in Upper Command Console: (1) 12-volt 60-amp, direct to the battery ignition off. (1) 12-volt 30-amp switched battery first position on ignition switch. (1) 12-volt 30-amp ignition power second position on ignition switch. (1) 12-volt 125-amp ground.</i>
198	84541545	1	POWER & GROUND STUDS, LOWER COMMAND CONSOLE
199		1	<i>Requirements (AMPS) for Power/Ground Studs in Lower Command Console: (1) 12-volt 60-amp, direct to the battery. (1) 12-volt 30-amp controlled by the ignition switch. (1) 12-volt 125-amp ground.</i>
200	30110000	1	VEHICLE DATA RECORDER, AKRON/WELDON
201	33510030	1	INTERIOR CAB LIGHTS, WHELEN 6" ROUND RED/CLEAR LED (2)
202	34010030	1	INTERIOR CREW LIGHTS, WHELEN 6" ROUND RED/CLEAR LED (2)
203	28010740	1	DEFROSTER, HEATER & A/C (TM-21)
204	28090003	1	HEAT TO FEET
205	28090100	1	A/C TO FACE
206	28030500	1	DEFROSTER DUCTWORK, ENTIRE WINDSHIELD
207	11031686	1	TOP HEAT/AC STORAGE, TOOL TRAY, 24.5"x 18.5" W/2" LIP
208	84588888	1	SPECIAL ITEM, BATTERY HOT 12V LINE RAN UNDER THE A/C TOOL PLATE Rev C **1/30/23**
209	11031691	1	REAR HEAT/AC STORAGE, 3 EMS GLOVE HOLDERS
210	28031001	1	FAN, 12 VOLT, DRIVER'S SIDE, MOUNTED OUTBOARD OF WINDSHIELD
211			Mount as far outboard as possible REV A **7/7/22**
212	28031101	1	FAN, 12 VOLT, OFFICER'S SIDE, MOUNTED OUTBOARD OF WINDSHIELD
213			Mount as far outboard as possible REV A **7/7/22**
214	38510104	1	DRIVER'S SEAT, BOSTROM SIERRA HIGH BACK AIR RIDE ABTS (DURAWEAR PLUS, LOW SEAM)
215	39010118	1	OFFICER'S SEAT, BOSTROM TANKER 450, ABTS SCBA (DURAWEAR PLUS, LOW SEAM)
216	39030010	1	OFFICER'S SEAT COMPT, OPEN FRONT REV A **7/7/22**
217	39521129	1	CREW SEAT 1, BOSTROM TANKER 450, ABTS SCBA (DURAWEAR PLUS, LOW SEAM) REV A **7/7/22**
218	39521130	1	CREW SEAT 2, BOSTROM TANKER 450, ABTS SCBA (DURAWEAR PLUS, LOW SEAM) REV A **7/7/22**

Line	Item #	Qty	Item Description/Comments
219	38320000	1	HELMETS STORED IN COMPARTMENT
220	39550200	1	SEAT COLOR, BLACK
221	39610000	3	SCBA BRACKETS, BOSTROM, SECURE ALL (3) REV A **7/7/22**
222	38410000	1	SEAT BELT WARNING SYSTEM, AKRON / WELDON
223	11031828	1	EMS CABINET, FORWARD FACING, DOUBLE ON CREW SEAT RISER (RAISED ROOF)
224			<i>Cabinet pushed all the way to the DS wall (Std Width, Lower Height to fit under the roof frame)</i> REV A **7/7/22**
225	11032210	1	INTERIOR ACCESS, BLACK WEBBING REV A **7/7/22**
226			<i>Webbing to be secured using Metal Airplane Buckles</i> REV A **7/7/22**
227	11032450	1	COMPT DOOR LOCK - NOT PROVIDED
228	11032312	1	ADJUSTABLE SHELVES, EMS COMPT (2)
229	39710015	1	CREW SEAT COMPT, FRONT DROP-DOWN DOORS (73" CAB)
230			<i>Add 2" Lip on seatbox in area not covered by the EMS Cabinet</i> REV A **7/7/22**
231			<i>Add Unistrut and 1 Painted Shelf in open area next to the EMS and the interior wall</i> REV A **7/7/22**
232			<i>Add Webbing over the face of the open area next to the EMS cabinet and the interior wall Secured with Metal Airplane Buckles (Buckles to be attached to the roof and the top of the webbing)</i> REV A **7/7/22**
233	11031740	1	OVERHEAD STORAGE, FRONT OF 10" RR W/NET REV A **7/7/22**
234	84588888	1	SPECIAL ITEM LASER CUT OUT IN LCC#3 FOR MOTO APX 6500 RADIO REV A **7/7/22**
235	84541700	1	INSTALLATION OF CUSTOMERS 2-WAY RADIO ANTENNA (1) REV A **7/7/22**
236		1	<i>Antenna Termination Location #1 = LCC#3</i> REV A **7/7/22**
237			<i>Antenna to be provided by 10/1/22</i> <i>Send to (Austin Alexander)</i> <i>UPS with tracking number preferred</i> <i>Do not send US postal</i> Sutphen Corporation 1653 W. County Line Rd. Urbana, OH 43078
238	30080150	1	HD STEREO, JENSEN, AM/FM/WB/BT
239	84530254	1	WIRELESS INTERCOM, FIRECOM 5100D, SINGLE RADIO, 4 POSITION REV A **7/7/22**

Line	Item #	Qty	Item Description/Comments
240		1	<i>Intercom Special Requirements (Radio Interface, Etc.) Radio Interface Make/Model = Motorola APX 6500 Firecom Accessible seats = DS & OS Speak through Radio, Crew Intercom only</i> REV A **7/7/22**
241	84561375	1	CAMERA SYSTEM, BRIGADE, BACKEYE 360 CAMERA SYSTEM (WIRED) REV A **7/7/22**
242		1	<i>Camera Mounting Location Std 360 Camera Install Camera Monitor Mounting Location Below Overhead Command Console Position 3 and at pump panel</i> REV A **7/7/22**
PUMP & PLUMBING			
243	60080020	1	PUMP, HALE QMAX XS 1500 GPM SINGLE STAGE
244	60025000	1	GEARBOX, HALE, G-SERIES, REAR MOUNTED
245	60025950	1	PUMP GEARBOX YOKE, 1710
246	60026000	1	PUMP PACKING, HALE
247	60030370	1	MANUAL PUMP OVERRIDE (PRG)
248	60031005	1	ALLOY ANODES, HALE (2)
249	60035123	1	PUMP TEST, THIRD PARTY TESTING
250	61510000	1	AUXILIARY COOLER (HEAT EXCHANGER)
251	62010002	1	STAINLESS STEEL PIPING
252	66090010	1	3" TANK-TO-PUMP W/CHECK VALVE
253	73090001	1	TANK FILL 2"
254	61729120	1	VALVE, AKRON, HEAVY DUTY (ALL)
255	60036010	1	THREADS, NST
256	61090003	1	PRESSURE GOVERNOR, CLASS 1 TPGJ1939
257	61290020	1	INTAKE PRESSURE CONTROL, TFT A1860
258	63021500	1	6" MAIN SUCTION, LEFT SIDE
259	63090001	1	HALE MASTER INTAKE VALVE, ELEC (SIDE SUCTION)
260	63060100	1	RELIEF VALVE FOR MIV
261	93030550	1	SPECIAL TIEM, 6" NHF X 5" STORZ ADAPTER W/CAP AND SUCTION GASKET REV A **7/7/22**
262	65090000	1	2.5" LEFT SIDE INLET

Line	Item #	Qty	Item Description/Comments
263	63025500	1	6" MAIN SUCTION, RIGHT SIDE
264	63090001	1	HALE MASTER INTAKE VALVE, ELEC (SIDE SUCTION)
265	63060100	1	RELIEF VALVE FOR MIV
266	93030550	1	SPECIAL TIEM, 6" NHF X 5" STORZ ADAPTER W/CAP AND SUCTION GASKET REV A **7/7/22**
267	64090000	1	2.5" RIGHT SIDE INLET
268	70525900	1	2.5" DISCHARGE, LEFT - POSITION 1
269	61810150	1	DISCHARGE TERMINATION, 30 DEGREE ELBOW
270	70525900	1	2.5" DISCHARGE, LEFT - POSITION 2
271	61810150	1	DISCHARGE TERMINATION, 30 DEGREE ELBOW
272	71025905	1	3" DISCHARGE, RIGHT - POSITION 3
273	61810160	1	DISCHARGE TERMINATION, STRAIGHT
274	61840260	1	ADAPTER, 3" NST FE X 5" STORZ W/CAP & CHAIN, TFT
275	71025900	1	2.5" DISCHARGE, RIGHT - POSITION 4
276	61810150	1	DISCHARGE TERMINATION, 30 DEGREE ELBOW
277	71930800	1	DISCHARGE 2.5" FRONT/LEFT OF MAIN HOSEBED REV A **7/7/22**
278	61810160	1	DISCHARGE TERMINATION, STRAIGHT REV A **7/7/22**
279	71590000	1	DISCHARGE, 2.5" LEFT REAR
280	61810150	1	DISCHARGE TERMINATION, 30 DEGREE ELBOW
281	72280010	1	2.5" FRONT BUMPER DISCHARGE, 2.5" PLUMBING
282		1	<i>Front Bumper Swivel Location/Side = Officer's side.</i>
283		1	<i>Front Discharge Swivel Location/Trough = Top of Bumper.</i>
284	61840100	1	ADAPTER, 2.5"NST FE X 1.5" NST M W/CAP & CHAIN REV A **7/7/22**
285	72590002	1	DECK GUN DISCHARGE 3"
286	61770945	1	ACTUATOR, VALVE, ELECTRIC, AKRON 9333
287	72570100	1	DECK GUN TERMINATION, THREADED

Line	Item #	Qty	Item Description/Comments
288	72554800	1	MONITOR, AKRON APOLLO 3423 W/QUAD STACKED TIPS & STREAM SHAPER
289			Ground base to be 2-2.5" inlets REV A **7/7/22**
290	72570200	1	EXTEND-A-GUN, TASK FORCE TIPS XG18, MANUAL
291	72890020	1	SPEEDLAYS, TWO 2" W/1.5" SWIVELS & POLY LIFT-OUT TRAYS
292		1	Crosslay Hose Load Requirement =
293	72929999	1	CROSSLAY/SPEEDLAY COVER, NOT PROVIDED
294	61742000	1	MASTER PUMP DRAIN, MULTIPOINT
295	61790510	11	DRAIN VALVES, HALE, LIFT-UP (11)
PUMP PANEL			
296	74914140	1	PRG SM4 - SIDE MOUNT PUMP PANEL (SPEEDLAYS)
297	74928110	1	PUMP MODULE LENGTH, 46"
298	74929135	1	HALE PUMP MODULE CONFIGURATION, SIDE MOUNT, SPEEDLAYS STACKED
299	74930710	1	PANEL FINISH, BRUSHED STS 14 GAUGE (PRG)
300	74988888	1	SPECIAL ITEM, RAISE PUMP MODULE DUNNAGE SIDE WALLS TO MATCH BODY HEIGHT REV A **7/7/22**
301		1	Pump Panel Label Verbiage Standard = Yes.
302	74931055	1	COLOR CODING (PRG)
303		1	Color Coding Standard = Yes.
304	74931295	1	PUMP MODULE FRAMEWORK, PAINTED BY SUTPHEN REV A **7/7/22**
305	74931390	1	PUMP FINISH, PAINTED BY PUMP MFG
306	74931590	1	PLUMBING FINISH, NON-PAINTED
307	74931695	1	EXTERIOR DUNNAGE AREA PANEL, SMOOTH METAL PAINTED REV A **7/7/22**
308	74931796	1	PUMP MODULE DOORS, AMDOR ROLL-UP, PAINTED
309	75088888		SPECIAL ITEM, PROTECTORS ON INSIDE OF PUMP TO PROTECT EXTRUSION PLATES Rev C **1/30/23**
310	75040215	1	TROUGH IN RUNNING BOARD, BOTH SIDES
311		1	Running Board Trough Cover = Velcro Straps.
312	75590010	1	PUMP OPERATOR LIGHTS, LED (PRG)

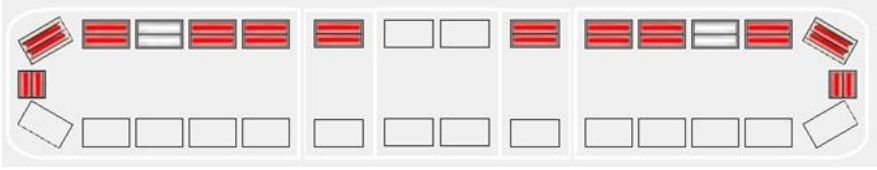
Line	Item #	Qty	Item Description/Comments
313	75590110	1	PUMP PANEL LIGHTS OFFICER'S SIDE, LED (PRG)
314	54010500	1	COLD WEATHER PACKAGE
315		1	<i>Cold Weather Package Includes:</i> <ul style="list-style-type: none"> · FleetGuard fuel filter/water separator with 12V heater · Innovative Controls gauge heater with heat tapes for up to twelve (12) gauges · 12v pump compartment heater/fan with switch on pump panel
316	18020000	1	CENTRAL LOCATION FOR AIR TANK DRAINS
317		1	<i>Specify Central Location for Air Tank Drain Valves = Under L1 Compartment</i>
318	76090002	1	PUMP PANEL GAUGES & CONTROLS (PRG)
319	60090030	1	PUMP PRIMER, TRIDENT, AIR
320	60028310	1	(1) PRIMER BUTTON - MAIN SUCTION
321	76025110	1	COMPRESSION FITTINGS ON AIR SYSTEM (PRG PUMP MODULE)
322	76031900	1	AIR HORN PUSH BUTTON SWITCH ON PUMP PANEL
323	76088888	1	SPECIAL ITEM, SCENE LIGHT SWITCHING FOR ALL SCENES (4 SWITCH)
324	77090000	1	GAUGE, DISCH, CLASS 1 2.5" (ALL)
325	76590000	1	GAUGES, MASTER, CLASS 1 4.5" (PRG)
326	77590000	1	GAUGE, WATER LEVEL, CLASS 1, INTELLI-TANK ITL-4
327	77532112	1	GAUGE, WATER LEVEL, WHELEN PSTANK2 LED (2)
328		1	<i>Whelen Gauge Locations = Driver's side of Cab, behind Crew Door, high.</i>
329		1	<i>Whelen Gauge Locations = Officer's side of Cab, behind Crew Door, high.</i>
330		1	<i>Add'l Whelen Water Level Gauge Color Multi Color.</i>
WATER TANK			
331	83525200	1	WATER TANK BRAND, UPF
332	83590004	1	WATER TANK, 750 GAL, POLY
BODY			
333	80089500	1	BODY SUBFRAME, PROGRAM 1 PUMPER
334	80189520	1	BODY G2 - ALUM 40/51 LAD CHUTE
335	80245012	1	UPPER HATCH COMPARTMENT, LEFT & RIGHT SIDES

Line	Item #	Qty	Item Description/Comments
336			Blackout Package Body: <i>Body Fenderettes - Textured</i> <i>Rubrails - Textured</i> <i>Tailboard – Textured High Friction</i> <i>Rear Steps - Textured High Friction</i> <i>All Grabhandles – Textured High Friction</i> <i>Warning and Scene Light Bezels – Black</i> <i>SCBA Doors - Textured</i> <i>Fuel Door - Textured</i> <i>License Plate Bracket - Textured</i> <i>Coffin Top Lids – Textured High Friction</i> <i>Front and Rear Body Treadplate – Textured</i> <i>Full Width Treadplate Step – Textured High Friction</i> REV A **7/7/22**
BODY COMPARTMENTS			
			<div style="border: 1px solid black; padding: 10px;"> <p style="text-align: center;">Standard Verbiage for locations of Outlets and other components in Body compartments</p> <div style="display: flex; justify-content: space-around;"> <div style="border: 1px solid black; padding: 5px;"> <p style="text-align: center;">INBOARD OUTBOARD</p> <p style="text-align: center;">TOP VIEW</p> </div> <div style="border: 1px solid black; padding: 5px;"> <p style="text-align: center;">Legend</p> <p>Inboard— Toward center of truck / frame rails</p> <p>Outboard— Toward compartment doors</p> <p>Left/Right wall— Looking at compartment, wall which is to your left or right</p> </div> </div> <div style="border: 1px solid black; padding: 5px; margin-top: 10px;"> <p style="text-align: center;">SIDE VIEW</p> </div> </div>
337	81165705	1	UNISTRUT TRACK IN COMPTS
338	81130200	1	ADJUSTABLE SHELF [L1] REV A **7/7/22**
339			<i>Ship Loose w/ All hardware</i> Rev C **1/30/23**
340	80280410	2	3/16" ALUMINUM MOUNTING PLATE (PER WALL) [L1] REV A **7/7/22**
341			<i>3/16" BACKING ON Forward and Rearward walls</i> REV A **7/7/22**
342	81130200	1	ADJUSTABLE SHELF [L2] REV A **7/7/22**
343	81130200	2	ADJUSTABLE SHELF [L3] REV A **7/7/22**

Line	Item #	Qty	Item Description/Comments
344	81140100	1	FIXED VERTICAL DIVIDER [L3] Rev C **1/30/23**
345			Add Vertical Divider in L3 Compartment 18" from rear door frame. No Unistrut installed on the rear wall or rear of Divider. Rev C **1/30/23**
346	81150300	1	600# SLIDE-MASTER TRAY [A1] REV A **7/7/22**
347	81130200	2	ADJUSTABLE SHELF [R1] REV A **7/7/22**
348			2 short shelves REV A **7/7/22**
349	80280410	1	3/16" ALUMINUM MOUNTING PLATE (PER WALL) [R2] REV A **7/7/22**
350			3/16" backing on backwall REV A **7/7/22**
351	81130200	1	ADJUSTABLE SHELF [R3] REV A **7/7/22**
352			Short shelf REV A **7/7/22**
353	81150300	1	600# SLIDE-MASTER TRAY [R3] Rev C **1/30/23**
354	80290026	1	COMPT DOORS, AMDOR ROLL-UP, PAINTED
355	80225100	1	REAR COMPT DOOR (A1) AMDOR ROLL-UP, SATIN FINISH
356	80230003	9	ROLL-UP DOOR DRIP PAN/GUARD (WITH DRAIN) REV A **7/7/22**
357			Include Drip Pans with pump rollup doors REV A **7/7/22**
358	80230300	1	COMPT INTERIOR FINISH, SMOOTH
359	84531230	1	COMPT LIGHTING, AMDOR LED LIGHT STRIPS, 2 PER COMPT
BODY EXTERIOR			
360	81380000	1	HOSEBED W/REMOVABLE ALUMINUM FLOORING
361		1	List the Hose Bed Hose Load Req. = 750-5" / 200-2.5" preconnected / 600-2.5" / 400-1.5"
362	81330100	1	STANDARD HOSEBED HEIGHT
363	81431310	1	REAR HOSEBED COVER, WEBBING REV A **7/7/22**
364		1	Hosebed Cover Color = Black.
365	81440230	1	COVER FASTENERS, METAL AIRPLANE LATCHES
366		1	Specify number of rear flaps, fasteners & and how they terminate (manufacturer's discretion or customer specified?) = TBD @ Pre-Con.

Line	Item #	Qty	Item Description/Comments
367	81330303	1	HOSE BED DIVIDERS, ADJ (3) REV A **7/7/22**
368	81332020	1	HOSEBED LIGHTING, FRONT, FEDERAL SIGNAL COMPLEX LED LIGHT STRIP
369	81332120	1	HOSEBED LIGHTING, SIDES, FEDERAL SIGNAL COMPLEX LED LIGHT STRIPS
370	81910100	1	HANDRAILS, KNURLED STS
371	82290000	1	DELETE FRONT BODY STEPS
372	82390001	1	STEPS, REAR BODY (14x11 & 14x8)
373	82510000	1	RUB RAILS, ANODIZED ALUM
374	82032000	1	FULL WIDTH TREADPLATE REAR STEP BELOW HOSEBED ABOVE REAR COMPT REV A **7/7/22**
375	83010050	1	ALUMINUM TREADPLATE (ALUM PPR, PRG1, C-SER, TANKER)
376	83030350	1	REAR STEP/TAILOBOARD CORNERS, 45 DEGREE (PRG1) REV A **7/7/22**
377	80290051	1	8 SCBA CYLINDER COMPTS (2 TRIPLE-FMI, 2 SINGLES-SIG4)
378		1	<i>Triple Bottle Compartment Location = triples on front of wheel wells each side single rear of the wheel wells each side</i>
379	80290210	1	DIVIDER FOR (1) TRIPLE SCBA COMPARTMENT
380		1	<i>Location of Dividers for Triple SCBA Compartments = 2 slot divider on DS and OS Front</i> Rev C **1/30/23** REV A **7/7/22**
381	80290310	2	DOOR FINISH, BRUSHED STAINLESS, SINGLE/DOUBLE SCBA COMPT (2)
382	80290420	2	DOOR FINISH, BRUSHED STAINLESS, TRIPLE SCBA COMPT (2)
383	88520300	1	DELETE 6" SUCTION HOSE
384	88540550	1	DELETE STD SUCTION HOSE MTG
385	88550300	1	STRAINER NOT PROVIDED
386	83030710	1	REAR FENDERS, ALUMINUM SMOOTH PAINTED
387	89011500	1	ALCO-LITE PEL-24 24'2 SEC & PRL-14 14' ROOF & 10' FOLDING
388	89030800	1	ALCO-LITE 10 FT ATTIC EXT LADDER AEL-10' REV A **7/7/22**
389			<i>Additional Ladder to be stored in the OS Coffin with sleeve separator to be dropped in from the top.</i> REV A **7/7/22**
390	89590002	1	LADDER CHUTE W/BACKBOARD STORAGE & PIKE POLE STORAGE


Line	Item #	Qty	Item Description/Comments
391	89520220	1	LADDER ENCLOSURE, SMOOTH ALUM DOOR
392	89590025	1	FULL ENCLOSURE FOR LADDER CHUTE
ELECTRICAL			
393	84550110	1	LICENSE PLATE BRACKET W/ LIGHT, LED
394	84511100	1	BODY ELECTRICAL DESCRIPTION
395	84520000	1	BACK UP ALARM, ECCO SA917
396	85010302	1	TAILLIGHTS, WHELEN 600 SERIES, LED STOP/TAIL/TURN/REVERSE, QUAD HOUSING (PAIR)
397		1	<i>Tail Light Housing Color = Black</i> REV A **7/7/22**
398	85110100	1	ICC LIGHTS, LED
399	85510200	1	STEP LIGHTS, LED, REAR BODY & WHELEN 2G AT PUMP PANEL
400	85710040	1	UNDERCARRIAGE GROUND LIGHTS, WHELEN 2G LED
401	86528999	1	DELETE REAR WORK LIGHTS REV A **7/7/22**
402	86600000	1	OPTICAL WARNING SYSTEM, UPPER (PUMPER)
			<div style="border: 1px solid black; padding: 10px;"> <p style="text-align: center;">UPPER WARNING SYSTEM (FROM BOTTOM OF WINDSHIELD UP)</p> </div>

Line	Item #	Qty	Item Description/Comments
403	86610130	1	UPPER WARNING LIGHTS, ZONE A (FRONT), WHELEN FREEDOM IV 72" LED LIGHT BAR, F4N7QLED, 14 MODULES
			
404	86920100	1	UPPER ZONE A LIGHTBAR, STANDARD CONFIGURATION
405		1	<p>Zone A, Upper Lightbar Standard Configuration =</p> <p>(2) end red LED modules,</p> <p>(2) corner red LED modules</p> <p>(8) forward-facing red LED modules</p> <p>(2) forward-facing white LED modules.</p> <p>All clear outer lenses.</p> <p>Installed on the cab roof as far forward as possible with two (2) MK8H 5in. cast aluminum risers.</p>
406	86699998	1	UPPER WARNING LIGHTS, ZONE B (OFFICER'S SIDE), COVERED BY ZONES A & C (Surface Mount)
407	86710300	1	UPPER WARNING LIGHTS, ZONE C (REAR), WHELEN LED, 900 SERIES SURFACE MOUNT, 905FR (QTY 4)
408		1	<p>Zone C, Upper Rear Beacon Color/Details =</p> <p>Color = Red</p> <p>Lens Color = Clear</p> <p>Bezel = Black</p> <p>REV A **7/7/22**</p>
409	86899998	1	UPPER WARNING LIGHTS, ZONE D (DRIVER'S SIDE), COVERED BY ZONES A & C (Surface Mount)
410	87100000	1	OPTICAL WARNING SYSTEM, LOWER (PUMPER)

Line	Item #	Qty	Item Description/Comments
			<p>LOWER WARNING SYSTEM (FROM BOTTOM OF WINDSHIELD DOWN)</p> <p>Side Warning Zones Explained (Looking down on truck from sky)</p> <p>Zone D</p> <p>Zone C rear</p> <p>Zone B</p> <p>Zone A front</p>
411	87110110	1	LOWER WARNING LIGHTS, ZONE A (FRONT), WHELEN 600 SUPER LED, 6002FR (QTY 4)
412		1	<i>Zone A, Lower Warning Light Color, Lens Color, Details =</i> <i>Color = Red</i> <i>Lens Color = Clear</i> <i>Bezel = Black</i> REV A **7/7/22**
413	87811130	1	LOWER, ZONE A - MOUNTING LOCATION (DUAL HOUSINGS)
414		1	<i>Zone A, Lower - Front, Mounting Location = (2) Warnings in top headlight housing, each side.</i>
415	87210100	1	LOWER WARNING LIGHTS, ZONE B (OFFICER'S SIDE), WHELEN 600 SUPER LED, 60*02F*R (QTY 2), ION T-SERIES LED, TLI* (QTY 1) REV A **7/7/22**
416		1	<i>Zone B, Lower Officer's Side Warning Light Color, Lens Color, Details =</i> <i>Color = Red</i> <i>Lens Color = Clear</i> <i>Bezel = Black</i> <i>TLI</i> <i>Color = Red</i> <i>Lens Color = Clear</i> REV A **7/7/22**
417	87812110	1	LOWER, ZONE B - MOUNTING LOCATION (PUMPERS, TANKERS, RESCUES)
418		1	<i>Zone B, Lower - Officer's Side, Mounting Location = (1) Warning Light near the front corner of the Apparatus.</i>

Line	Item #	Qty	Item Description/Comments
			<i>(1) Warning Light near the rear Axle. (1) Warning Light near the rear corner of the Apparatus. Reference Shop Order Drawing for lights and placement.</i>
419	87310100	1	LOWER WARNING LIGHTS, ZONE C (REAR), WHELEN 600 SUPER LED, 6002FR (QTY 2)
420		1	<i>Zone C, Lower Rear Warning Light Color, Lens Color, Details = Color = Red Lens Color = Clear Bezel = Black REV A **7/7/22**</i>
421	87410100	1	LOWER WARNING LIGHTS, ZONE D (DRIVER'S SIDE), WHELEN 600 SUPER LED, 60*02F*R (QTY 2), ION T-SERIES TLI* (QTY 1) REV A **7/7/22**
422		1	<i>Zone D, Lower Driver's Side Warning Light Color, Lens Color, Details = Color = Red Lens Color = Clear Bezel = Black TLI Color = Red Lens Color = Clear REV A **7/7/22**</i>
423	87814110	1	LOWER, ZONE D - MOUNTING LOCATION (PUMPERS, TANKERS, RESCUES)
424		1	<i>Zone D, Lower - Driver's Side, Mounting Location = (1) Warning Light near the front corner of the Apparatus. (1) Warning Light near the rear Axle. (1) Warning Light near the rear corner of the Apparatus. Reference Shop Order Drawing for lights and placement.</i>
425	87537732	2	ADDITIONAL WARNING LIGHTS, WHELEN 600 SUPER LED, 60*02F*R (2) (PAIR) REV A **7/7/22**
426			<i>Additional Warning Light Detail = Location = 1 Set Bumper Sides 1 Set over front fenders Color = Red Lens Color = Clear Bezel = Black REV A **7/7/22**</i>
427	87537505	1	WARNING LIGHT, ROTO-RAY, LED
428		1	<i>Roto Ray Light Colors = Red, Red, White REV A **7/7/22**</i>
429		1	<i>Independent Deactivation Switch for Roto Ray = Provided</i>
430		1	<i>RotoRay Note: Chassis to provide/install RotoRay.</i>
431	87040000	1	TRAFFIC ADVISOR, WHELEN LED, TAL65 36"
432	88391200	1	SCENE LIGHT, WHELEN PIONEER PFH2, 12V LED, BROW (1)

Line	Item #	Qty	Item Description/Comments
433		1	<p>Scene Light Details = Switching = "Brow" UCC #1, LCC #5, Pump Panel Scene Light Housings Color = Black REV A **7/7/22**</p>
434	86537811	4	SCENE LIGHTS, WHELEN 900 LED, SURFACE MOUNT (PAIR) (4)
435		1	<p>Light Mounting Location & Switching = Location = On Cab Over Fixed Windows (1) Ea Side Switching = "Left Scene" "Right Scene" UCC #1, LCC #5, Pump Panel</p> <p>Location = (1) Forward and (1) Rearward OS side of Body Switching = "Right Scene" UCC #1, LCC#5, Pump Panel</p> <p>Location = (1) Forward and (1) Rearward DS side of Body Switching = "Left Scene" UCC #1, LCC#5, Pump Panel</p> <p>Location = (1) Each side Rear of Body Switching = "Rear Scene" UCC #1, LCC #5, Pump Panel Reverse Activated.</p> <p>Bezels = Black REV A **7/7/22**</p>
436	88399940	4	ADDITIONAL SWITCH, 3-WAY FOR 12V LIGHTS (EA) (4)
437		1	<p>Location & Function for Additional 3-Way Switches 12V = Officer's Side switching for All Scene Lights / Switching provided on Pump Panel All Scene Lights REV A **7/7/22**</p>
PAINT & FINISH			
438	89910000	1	CORROSION REDUCTION PROGRAM (SPECS)
439	90010020	1	PAINT SCHEME
440	90030004	1	PAINT, SINGLE TONE REV A **7/7/22**
441	90029910	1	PAINT BREAK #1 - BOTTOM OF WINDSHIELD

Line	Item #	Qty	Item Description/Comments
			
442		1	Single Tone Paint = RED.
443	90030154	1	PAINT FRAME RAILS & BODY REAR DROP - BLACK
444	90030190	1	TEXTURED FRAME RAIL COATING
445	90510000	1	3" LETTERING, 22K UP TO 40
446	90610200	1	6" SCOTCHLITE STRIPE AROUND TRUCK
447	90630405	1	MITER EDGED "Z" STRIPE
448	90630100	2	1" SCOTCHLITE STRIPE ABOVE OR BELOW - EACH (2)
449	90680120	1	CHEVRON STRIPING, REAR BODY OUTBOARD, REFLEXITE
450		1	<i>Chevron Striping, Rear Body Color = #030 Red Transparent & #L2 Fluorescent Lime.</i>
451	90684120	1	CHEVRON STRIPING, LADDER ENCLOSURE DOOR, REFLEXITE
452		1	<i>Chevron Striping, Ladder Enclosure Door Color = #030 Red Transparent & #L2 Fluorescent Lime.</i>
453		1	<i>List Special Lettering/Striping Details = Match Current Units</i>
EQUIPMENT			
454	91010000	1	MISC EQUIP - (1) PINT TOUCH-UP PAINT, STAINLESS STEEL NUTS & BOLTS
455			<i>Ship Loose Items: Pint touch-up paint, 1 per color Stainless steel nuts and bolts Fire extinguisher Warning triangles First Aid kit Auto Eject Plugin adapter</i>
456	91030700	1	ZIAMATIC SAC-44 FOLDING WHEEL CHOCKS (PAIR) MTD W/ SQCH-44H HOLDERS
457		1	<i>Wheel Chock Mounting Locations = UNDER L1 COMPARTMENT</i>

Line	Item #	Qty	Item Description/Comments
COMPLETION & WARRANTY			
458	99010000	1	MANUALS (1-PRINTED & 1-USB) WITH DVD
459	10000215	1	STD WIRING SCHEMATIC
460	99031195	1	DEALER DELIVERY
461	99520110	1	WARRANTY, ONE YEAR
462	99521100	1	WARRANTY, FRAME, LIFETIME
463	99521200	1	WARRANTY, CAB STRUCTURAL, 10 YR.
464	99521300	1	WARRANTY, BODY STRUCTURAL, 10 YR.
465	99521400	1	WARRANTY, PAINT, 10 YR.
466	99521900	1	WARRANTIES, MAJOR VENDOR COMPONENTS